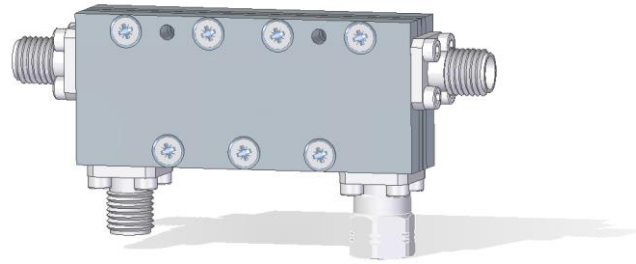


DIRECTIONAL COUPLER 0.5GHz - 2GHz

6, 10, 16, 20 et 30 dB

Features

- Wideband coupler
- Unidirectional / Bidirectional coupler
- Low insertion loss
- Guaranteed reliability
- Different connectors upon request



Specifications

Frequency Range : 2000–8000 MHz

Nominal Coupling :

CD-1-2000-8000-6-50-SF-SF-SF	6 ±1 dB
CD-1-2000-8000-10-50-SF-SF-SF	10 ±1 dB
CD-1-2000-8000-16-50-SF-SF-SF	16 ±1 dB
CD-1-2000-8000-20-50-SF-SF-SF	20 ±1 dB
CD-1-2000-8000-30-50-SF-SF-SF	30 ±1 dB

Flatness Coupling: ±0.5 dB

Insertion Loss* :

CD-1-2000-8000-6-50-SF-SF-SF	≤ 0.5 dB
CD-1-2000-8000-10-50-SF-SF-SF	≤ 0.5 dB
CD-1-2000-8000-16-50-SF-SF-SF	≤ 0.5 dB
CD-1-2000-8000-20-50-SF-SF-SF	≤ 0.3 dB
CD-1-2000-8000-30-50-SF-SF-SF	≤ 0.3 dB

VSWR : 1.2:1 max.

Directivity : 20 dB min.

Input power : 50W CW max.

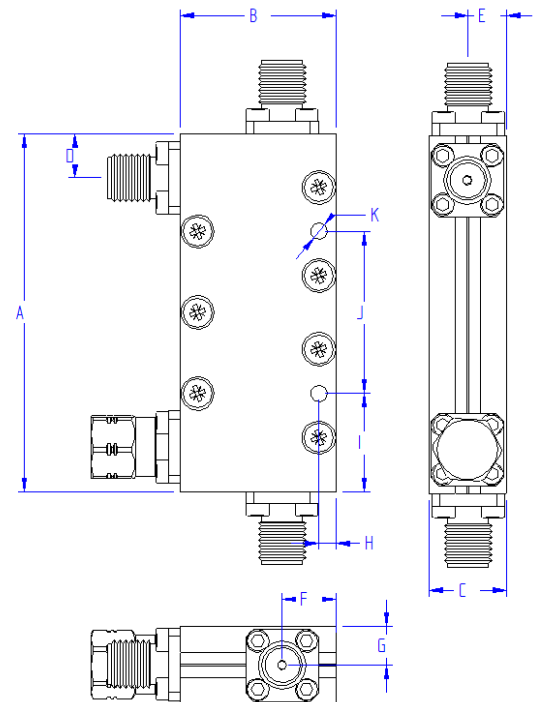
Connectors types : SMA Female

Operating Temperature : -40 à +85°C

Storage Temperature : -55 à +125°C

*Coupling loss excluded

Dimensions



A	B	C	D	E	F
46.6	20.2	10.3	5.8	5.1	7
G	H	I	J	K	
5.2	2.2	12.8	21.1	∅2.2	

Unit : mm