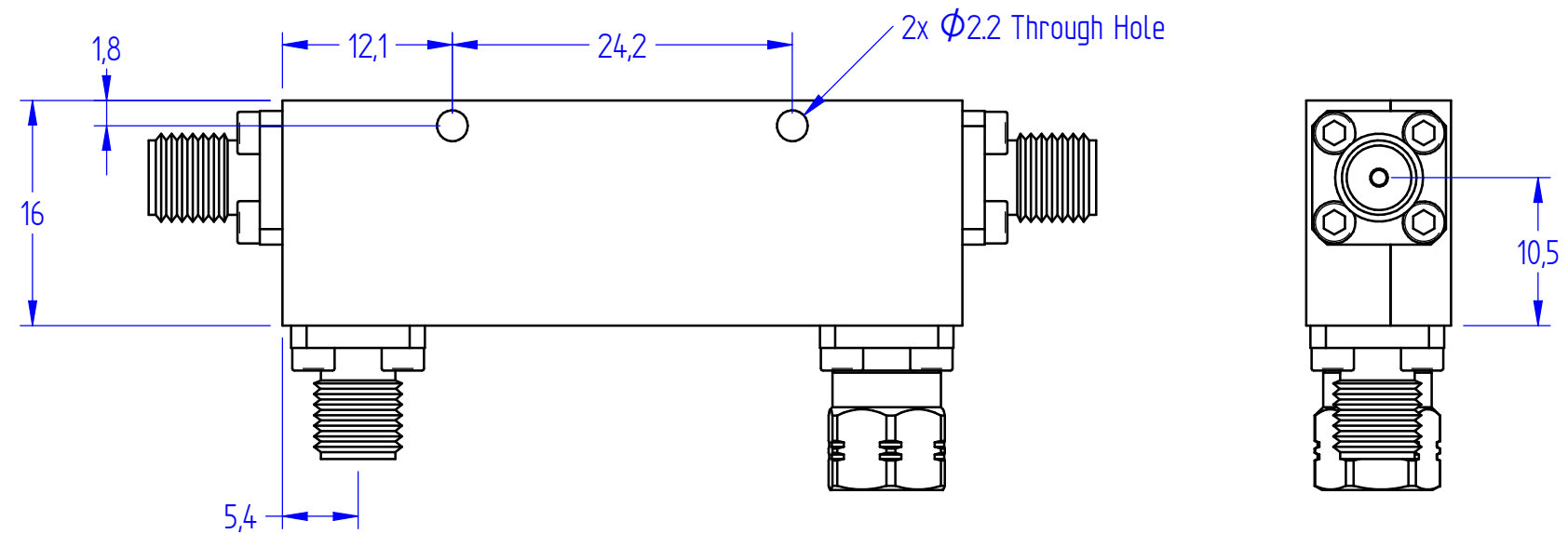
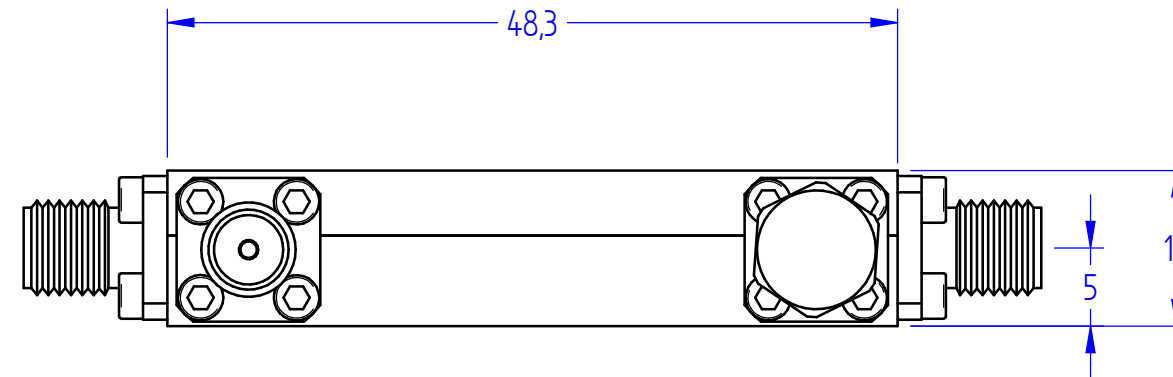
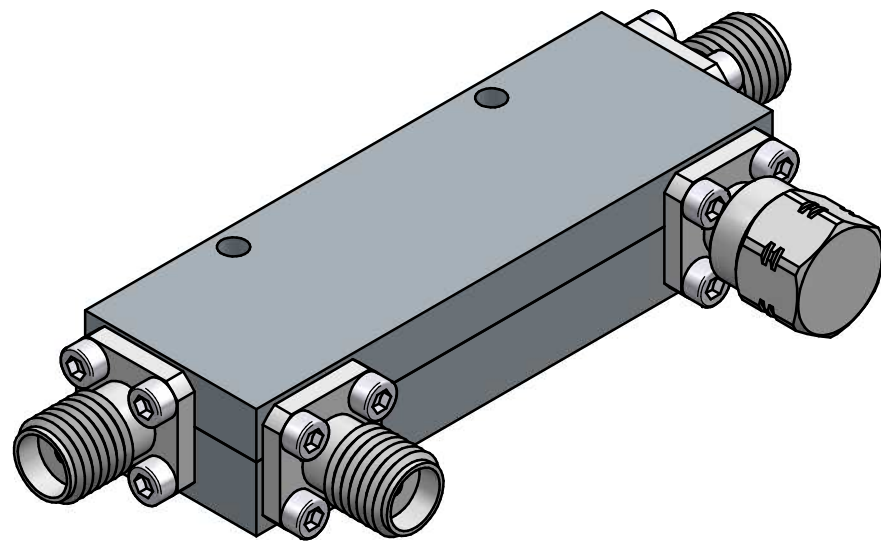


This document is subject to change without notice  
This document is the exclusive property of DÉTI SAS and cannot be communicated to third parties or reproduced without prior written permission



### TECHNICAL SPECIFICATIONS

Frequency Range :	2000 - 18000 MHz
Coupling :	40 ± 1 dB
Frequency Sensivity :	± 0.5 dB
Maximum Insertion Loss :	0.5 dB
Minimum Directivity :	15 dB
Maximum VSWR :	1.3 : 1
Power Handling :	400W peak 10% DC, pulse width < 100us
Operating Temperature :	-40 °C to +85 °C
Input Connector :	SMA Female
Output Connector :	SMA Female
Coupling Connector :	SMA Female
Weight :	25 g

Last rev. additional information :							Material : Aluminum		Titre : Coupleur Directif 2-18 GHz	
							Treatment : Surtec 650		Title : 2-18 GHz Directional Coupler	
							Finish : -		Comment : -	
							Gen. Tol. : ISO 2768 - mK		Document Number : CD-1-2000-18000-40-50-SF-SF-SF	
							Orientation :		Drawn : wkherraz	
A Preliminary			W.Kherraz		10/06/2020		S. Mellaza		10/06/2020	
Rev. Change			Drawn		Date		Check		Date	
							Scale : 2:1		Sheet : 1 / 1	
							Date : 08/06/2020			

