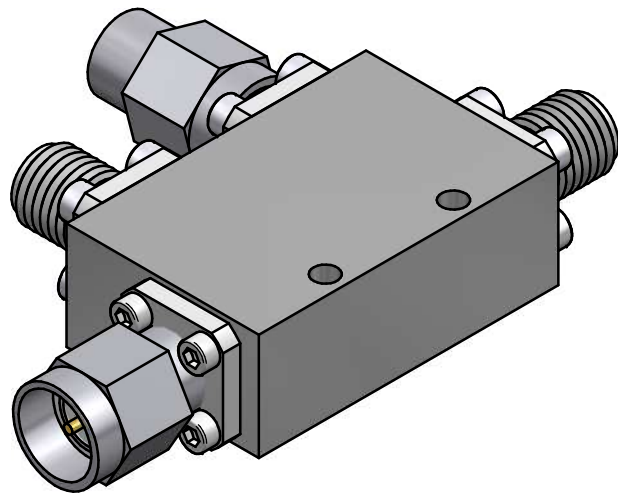
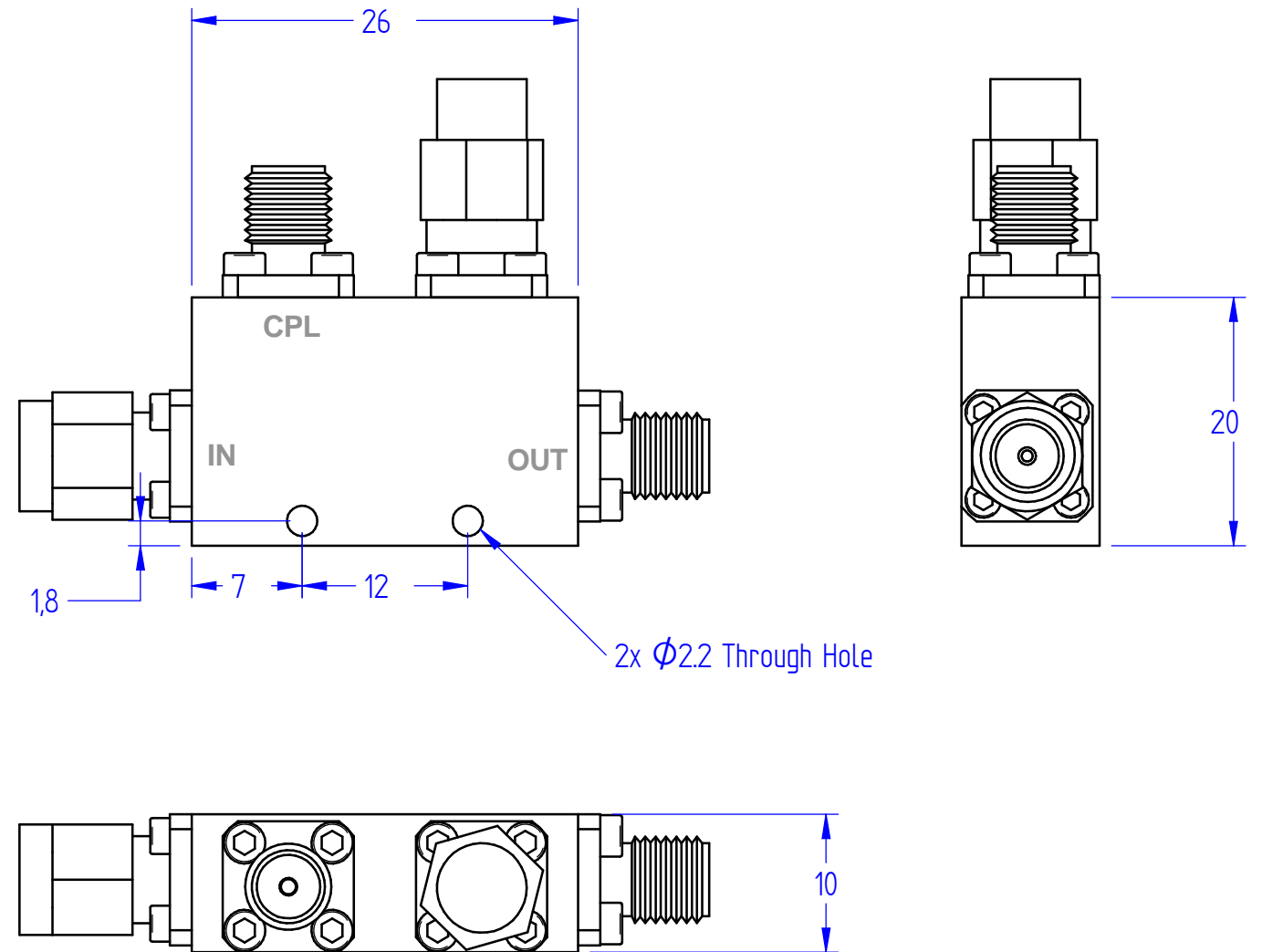


This document is subject to change without notice
This document is the exclusive property of DÉTI SAS and cannot be communicated to third parties or reproduced without prior written permission



TECHNICAL SPECIFICATIONS

Frequency Range :	8000 - 8500 MHz
Coupling :	30 ± 1 dB
Frequency Sensivity :	± 0.5 dB
Maximum Insertion Loss :	0.25 dB
Minimum Directivity :	18 dB
Maximum VSWR :	1.3 : 1
Power Handling :	50W CW
Operating Temperature :	-40 °C to +85 °C
Input Connector :	SMA Male
Output Connector :	SMA Female
Coupling Connector :	SMA Female
Weight :	40 g



Last rev. additional information :							Material : Aluminum 6082		Titre : Coupleur Directionnel 8-8.5 GHz	
							Treatment : Surtec 650		Titre : Directionnal Coupler 8-8.5 GHz	
							Finish : Black Paint		Comment :	
							Gen. Tol. : ISO 2768 - mK		Document Number : CD-1-8000-8500-30-50-SM-SF-SF	
							Orientation :		Drawn : wkherraz	
-							Size : A3		Date : 26/11/2019	
-							Scale : 2:1			
-							Sheet : 1 / 1			
Rev.	Change	Drawn	Date	Check	Date	Approb.	Date			
		W.Kherraz	26/11/19	A. Le Gouellec	27/11/19	S. Mellaza	27/11/19			

