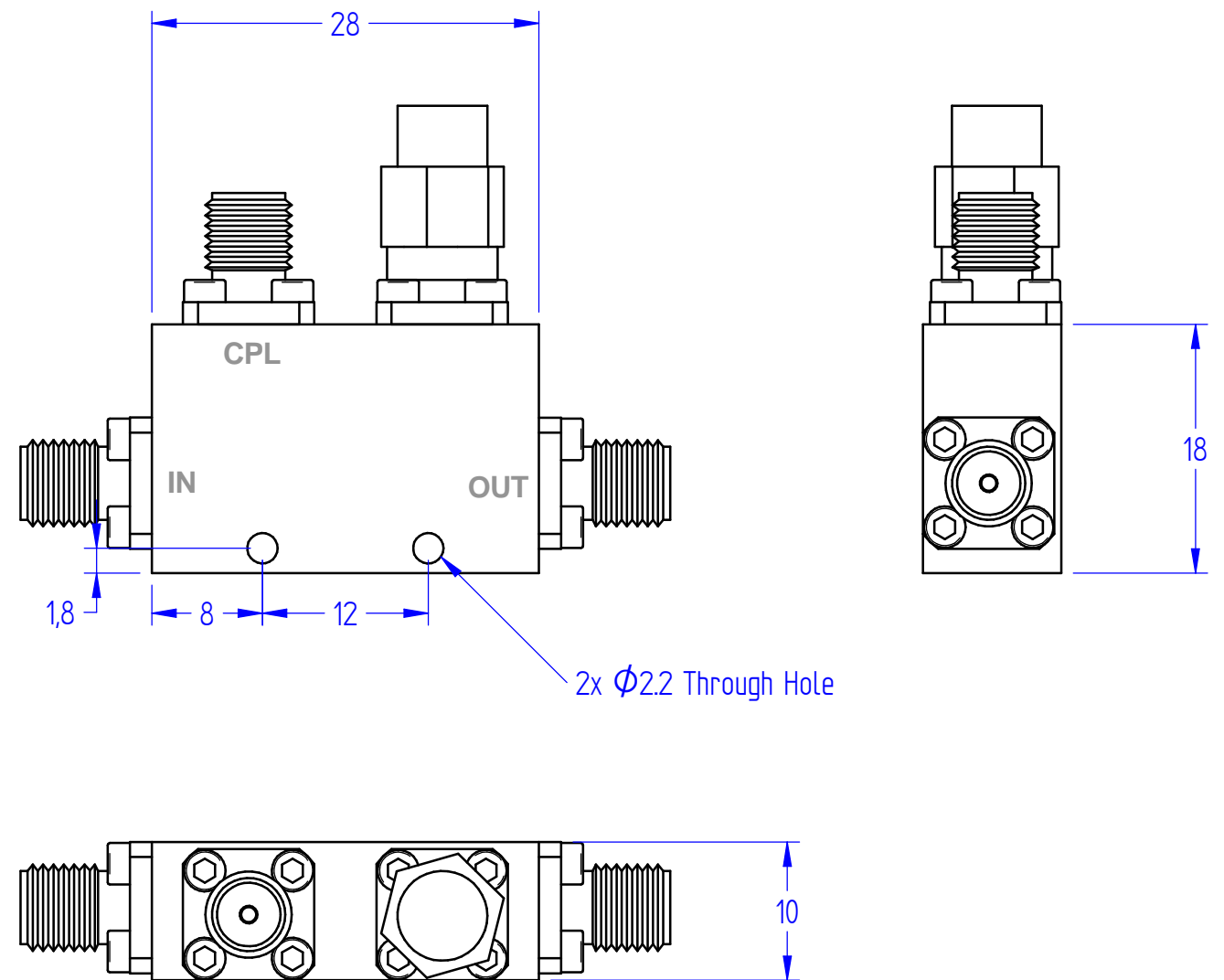
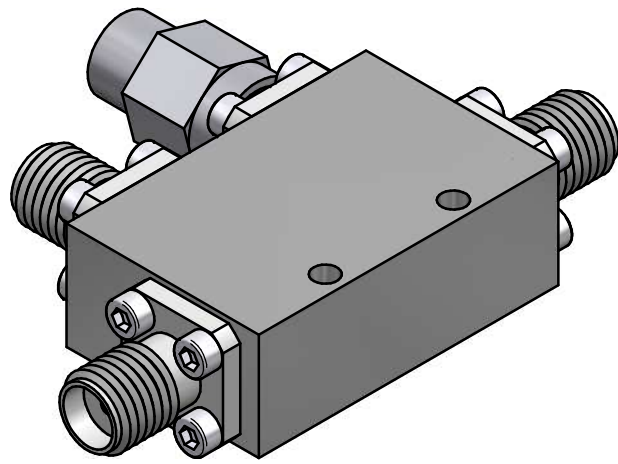

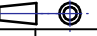


This document is subject to change without notice  
This document is the exclusive property of DÉTI SAS and cannot be communicated to third parties or reproduced without prior written permission



### TECHNICAL SPECIFICATIONS

<b>Frequency Range :</b>	<b>7000 - 12000 MHz</b>
<b>Coupling :</b>	<b>10 ± 1 dB</b>
<b>Frequency Sensivity :</b>	<b>± 0.7 dB</b>
<b>Maximum Insertion Loss :</b>	<b>0.5 dB</b>
<b>Minimum Directivity :</b>	<b>15 dB</b>
<b>Maximum VSWR :</b>	<b>1.3 : 1</b>
<b>Power Handling :</b>	<b>50W CW</b>
<b>Operating Temperature :</b>	<b>-40 °C to +85 °C</b>
<b>Input Connector :</b>	<b>SMA Female</b>
<b>Output Connector :</b>	<b>SMA Female</b>
<b>Coupling Connector :</b>	<b>SMA Female</b>
<b>Weight :</b>	<b>40 g</b>

Last rev. additional information :							Material : Aluminum 6082		Titre : <b>Coupleur Directionnel 7-12 GHz</b>		
							Treatment : Surtec 650		Title : <b>Directionnal Coupler 7-12 GHz</b>		
							Finish : Black Painted		Comment :		
							Gen. Tol. : ISO 2768 - mK		Document Number : CD-1-7000-12000-10-50-SF-SF-SF		
							Orientation : 		Drawn : wkherraz		
Rev.	Change	Drawn	Date	Check	Date	Approb.	Date	Scale : 2:1	Sheet : 1 / 1	Date : 24/10/2019	



www.deti-sa.com