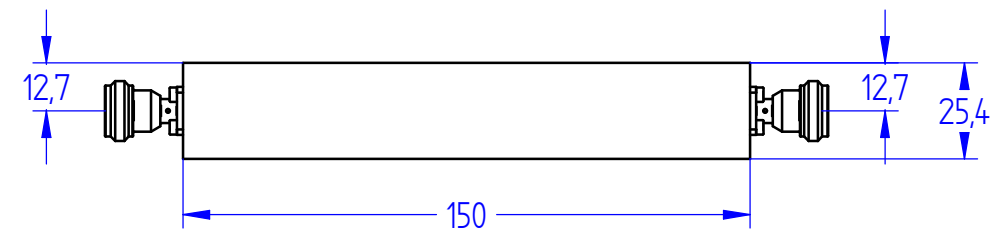
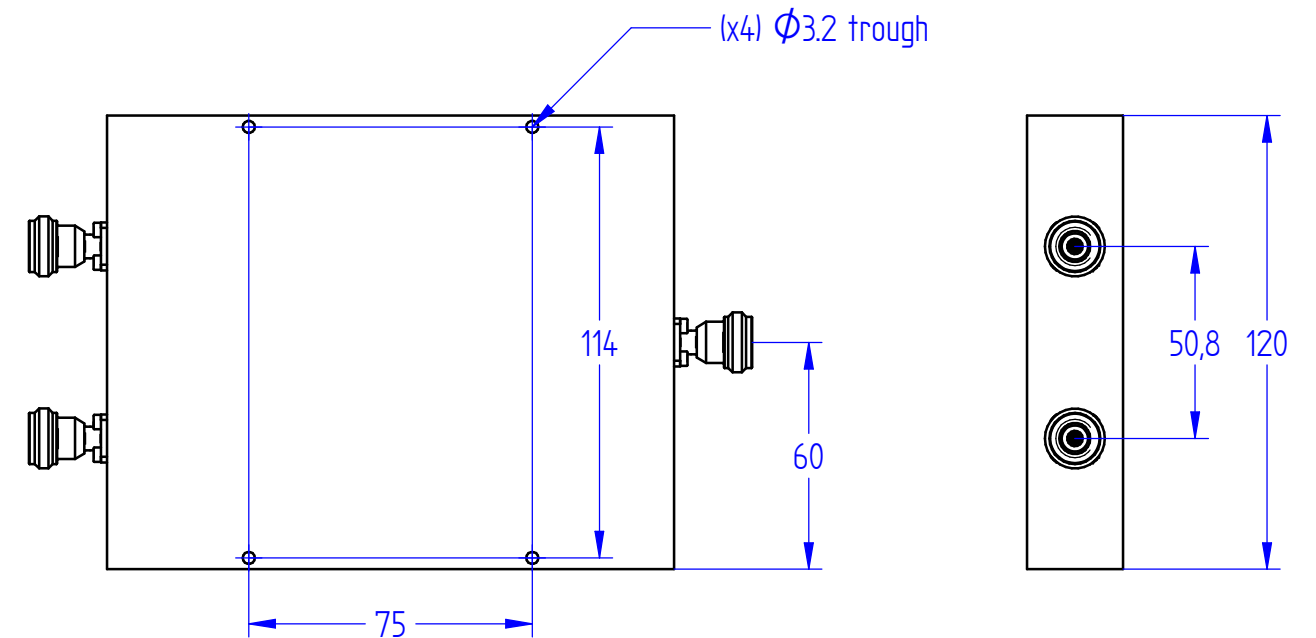
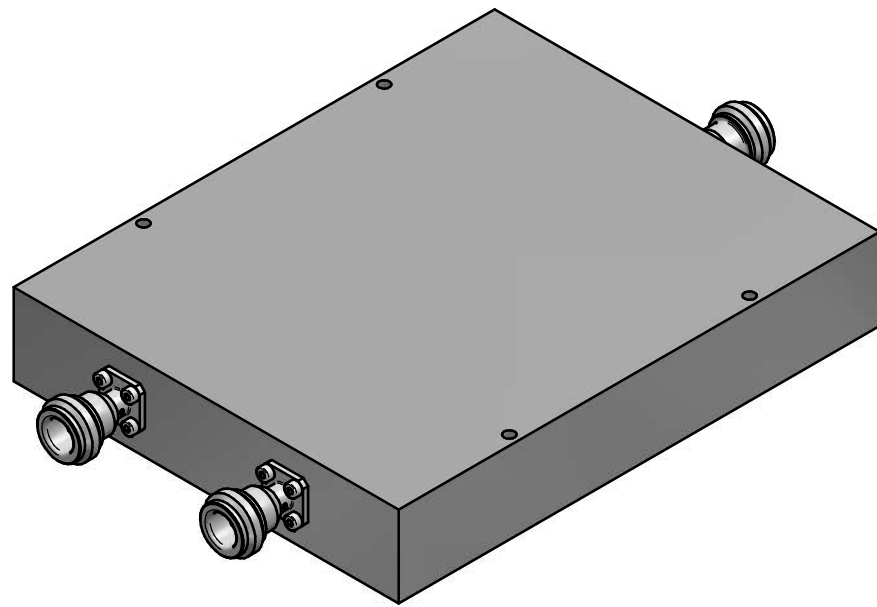




This document is subject to change without notice
This document is the exclusive property of DÉTI SAS and cannot be communicated to third parties or reproduced without prior written permission



TECHNICAL SPECIFICATIONS

- Frequency Range :** 100 - 512 MHz
- Insertion Loss :** 0.8 dB max.
- VSWR :** 1.5 :1 max.
- Isolation :** 20 dB min.
- Amplitude balance :** 0.3 dB max.
- Phase balance :** 5° max.
- Power Handling :** 200 W CW
- Operating Temperature :** -40 °C to +85 °C
- Storage Temperature :** -55 °C to +125°C
- Inputs Connector :** N Female
- Output Connector :** N Female

Last rev. additional information :							Material : Aluminum		Titre : Combineur 2 voies 100 - 500 MHz		
							Treatment : Surtec 650		Title : 2-Way combiner 100 - 500 MHz		
							Finish : Black painted		Comment : CO-2-100-500-200-NF-NF		
							Gen. Tol. : ISO 2768 - mK		Document Number : CO-2-100-500-200-NF-NF		
							Orientation : 		Drawn : smellaza		
Rev.	Initial draft	S. Mellaza	27/09/19				Scale : 1:2	Sheet : 1 / 1	Date : 27/09/2019		
	Change	Drawn	Date	Check	Date	Approb.					