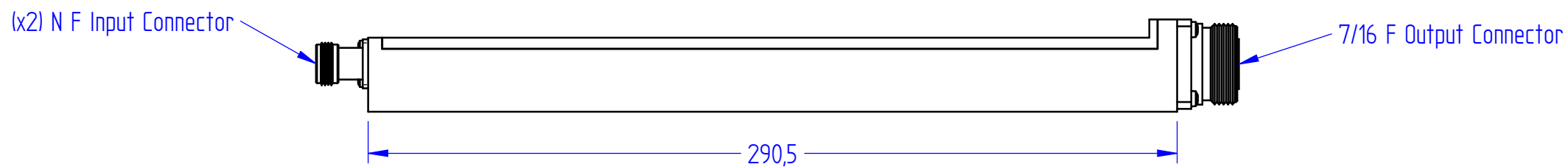
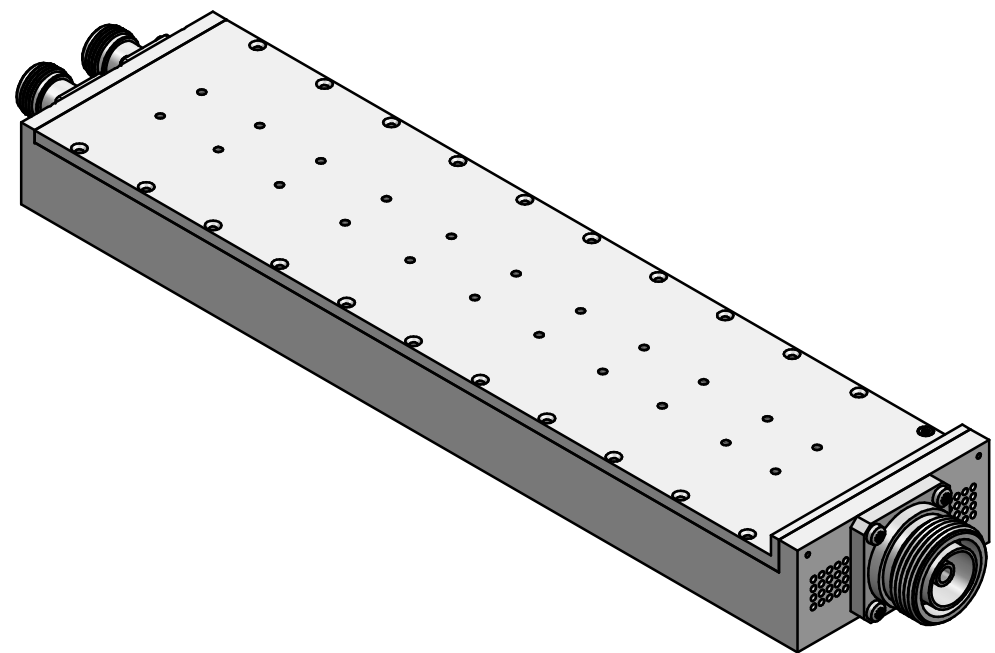
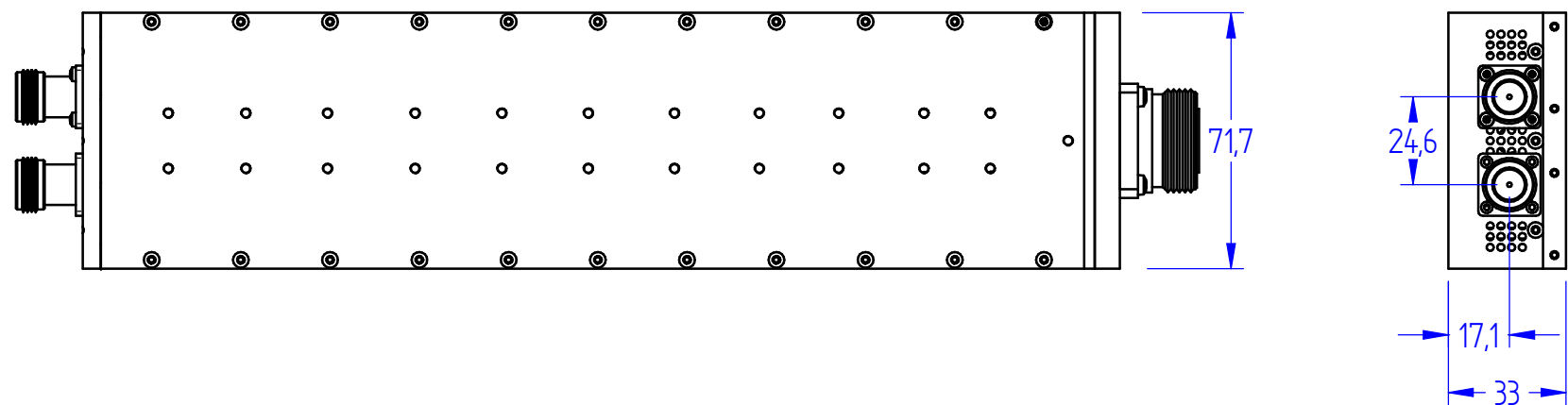


This document is subject to change without notice  
This document is the exclusive property of DETI SAS and cannot be communicated to third parties or reproduced without prior written permission



### TECHNICAL SPECIFICATIONS

- Frequency Range :** 800 - 4000 MHz
- Insertion Loss :** 0.3 dB max.
- VSWR Output :** 1.5:1 max.
- VSWR Input :** 1.5:1 max.
- Amplitude Balance :** +/- 0.1 dB
- Phase Balance :** +/- 5°
- Isolation :** 12 dB min.
- Power Handling :** 1000 W 800 to 1000 MHz  
960 W 1000 to 1200 MHz  
800 W 1200 to 4000 MHz
- Power failure :** 20 % max. on one way
- Operating Temperature :** 0 °C to +40 °C



Last rev. additional information :							Material : Aluminium		Titre : Combineur Large Bande Multi Octave 800-4000 MHz 1000 <sup>W</sup>	
							Treatment : Surtec 650		Titre : 2-Way Multi Octave Broadband Combiner 800-4000 MHz 1000 W	
							Finish : -		Comment : CO-2-800-4000-500-NF-716F	
							Gen. Tol. : ISO 2768 - mK		Document Number : 001558 0B 1501 A	
							Orientation :		Drawn : alegouellec	
- Création du document			A. Le Gouellec		18/06/2021		W.Kherraz		18/06/2021	
- Change			Drawn		Date		Check		Date	
-			S. Mellaza		18/06/2021		Approb.		Date	
Rev.			Change		Drawn		Date		Check	
			Date		Approb.		Date		Scale : 1:2	
			Date		Approb.		Date		Sheet : 1 / 1	
			Date		Approb.		Date		Date : 18/06/2021	

