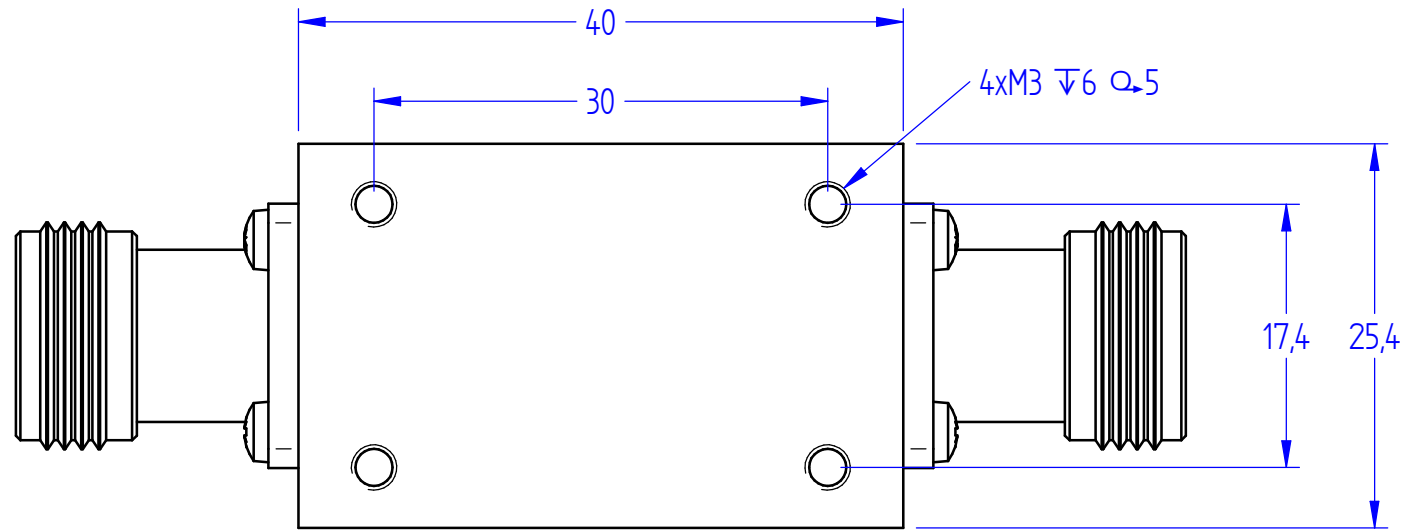
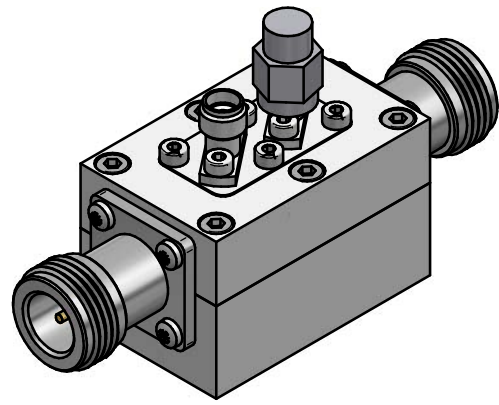
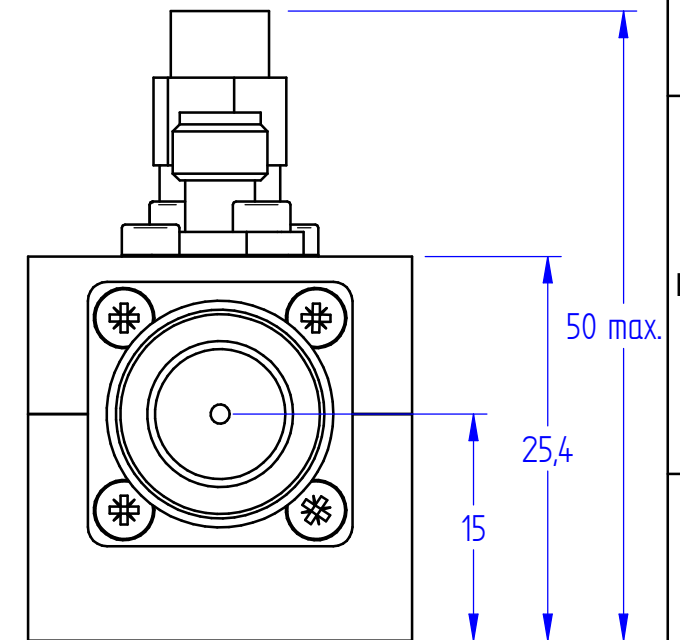
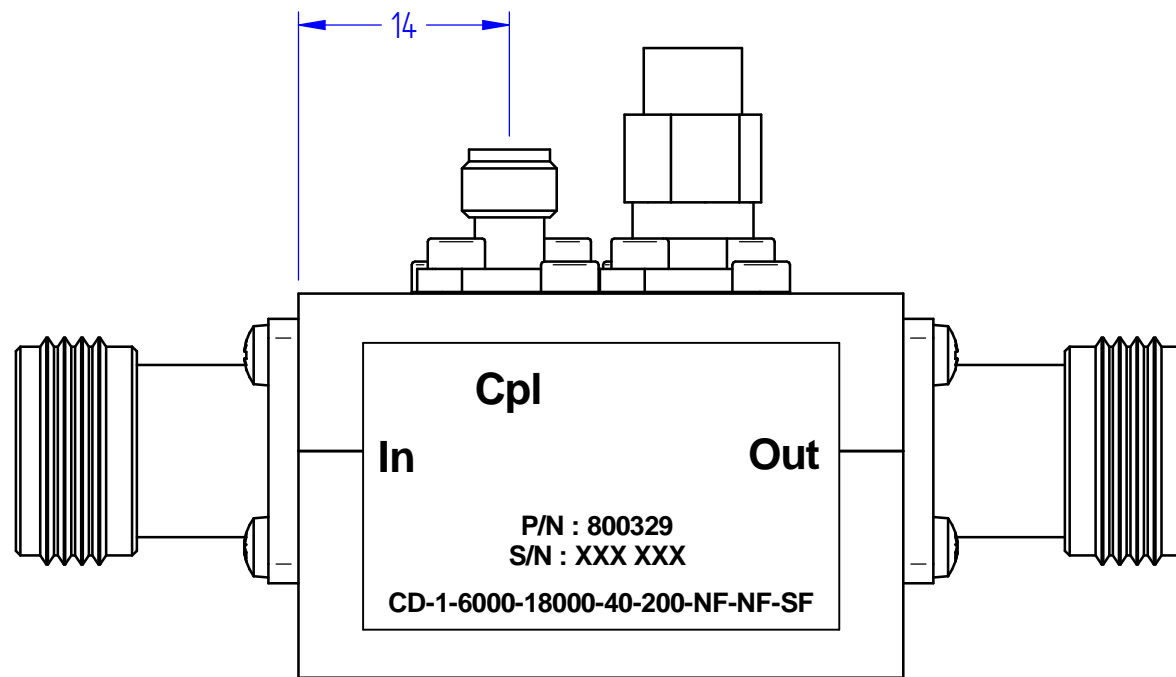




This document is subject to change without notice  
This document is the exclusive property of DETI SAS and cannot be communicated to third parties or reproduced without prior written permission



### TECHNICAL SPECIFICATIONS

- Frequency Range :** 6000 - 18000 MHz
- Coupling** 40 dB ± 1
- Frequency sensitivity :** ± 1 dB
- Directivity :** 15dB min. from 6 to 16.5 GHz  
10dB min. from 16.5 to 18 GHz
- Insertion Loss :** 0.3 dB max.
- Mainline VSWR :** 1.50 :1 max.
- Coupling VSWR :** 1.50 :1 max.
- Power Handling :** 200W Average  
2000W peak (10% DC < 1ms)
- Mainline Connectors :** N Female
- Coupling Connector :** SMA Female
- Operating Temperature :** -55° to 100°C
- Pressure :** 70 to 1200 bar
- Altitude :** 60 000 feet operate
- Vibrations :** 10-2000Hz-0.1g<sup>2</sup>/Hz  
100-1000Hz-1g<sup>2</sup>/Hz  
Duration : 1 H/axis for 3 axis
- Shocks :** 30g half-sinus  
Duration : 11ms/axis for 3 axis



Last rev. additional information : Modification de la directivité et du ROS mainline							Material : Aluminum		Titre : Coupleur Directif 6-18 GHz - 40dB		
							Treatment : Silver Plated		Title : Directional Coupler 6-18GHz 40dB		
							Finish : -		Comment : CD-1-6000-18000-40-200-NF-NF-SF		
							Gen. Tol. : ISO 2768 - mK		Document Number : 800329 1501B		
							Orientation : 		Drawn : wkherraz		
B	Mise à jour des spécifications	W.Kherraz	10/10/2023	A. Le Gouellec	10/10/2023	A. Le Gouellec	10/10/2023	Size : A3	Classif. : 2	Date : 10/10/2023	
A	Création du document	W.Kherraz	15/05/2023	A. Le Gouellec	23/05/23	S. Mellaza	23/05/2023	Scale : 2:1	Sheet : 1 / 1		
Rev.	Change	Drawn	Date	Check	Date	Approb.	Date				