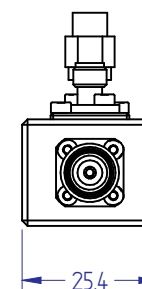
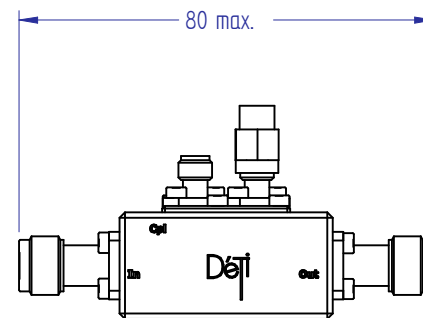
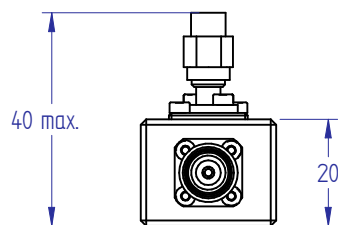
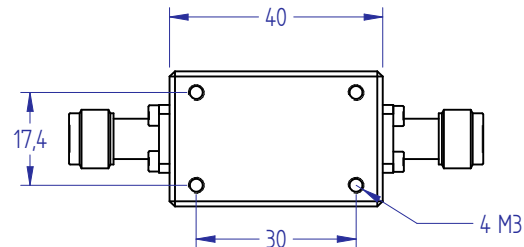


SPECIFICATIONS

Frequency Range :	9.0 - 10.0 GHz
Coupling :	30 ± 1 dB
Frequency Sensitivity :	± 1 dB
Minimum Directivity :	20 dB (22 dB Typ.)
Maximum Insertion Loss :	0.3 dB
Mainline VSWR :	1.40 : 1
Coupling line VSWR :	1.50 : 1
Power Handling :	200 W average 2000 W peak (10% DC < 1ms)
Mainline Connectors :	TNC Female (Input) TNC Female (Output)
Coupling line Connectors :	SMA Female
Operating Temperature :	-55 to 100°C
Pressure :	70 to 1200 mbar
Altitude :	60 000 feet operate
Humidity	85% to 95% RH, 30°C to 60°C
Vibrations :	10-2000Hz-0.1g²/Hz 100-1000Hz-1g²/Hz Duration : 1 H/axis for 3 axis
Chocks :	30g half-sinus Duration : 11ms/axis for 3 axis



				Matière : Aluminum		Titre : DIRECTIONAL COUPLER 9-10 GHz	
				Traitement : Silver Finish		30 dB Coupling - 200 W CW	
				Classif. : 2	Tolérance générale : ± 0.5mm		Document N° : CD-1-9000-10000-30-200-TF-TF-SF
					Echelle : 2 : 1		
29/05/15	B	Mainline VSWR : 1.40:1 max.					
Date	Indice	Nature de la modification		Niv. Sup.			