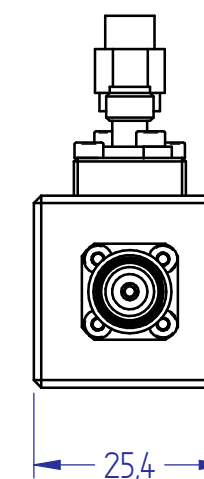
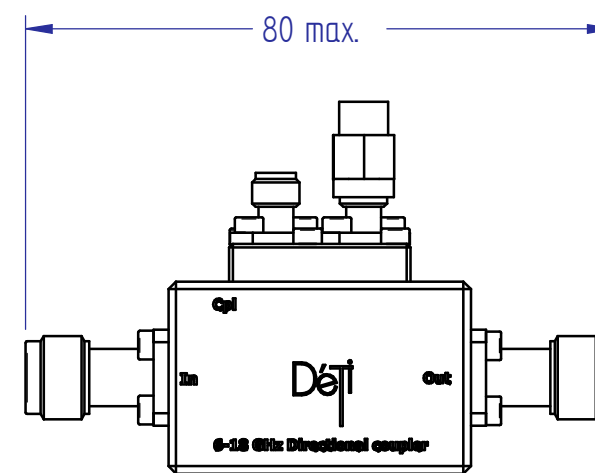
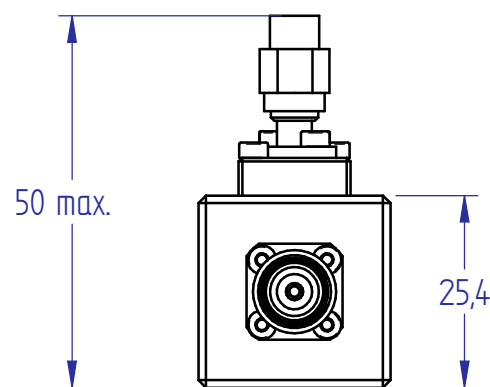
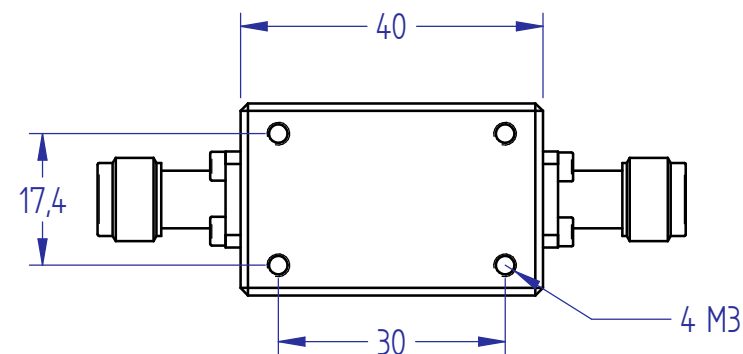


SPECIFICATIONS

| | |
|----------------------------|-----------------------------------------------------------------------------------------------------|
| Frequency Range : | 6.0 - 18.0 GHz |
| Coupling : | 40± 1 dB |
| Frequency Sensitivity : | ± 1 dB |
| Minimum Directivity : | 20 dB (22 dB Typ.) |
| Maximum Insertion Loss : | 0.3 dB |
| Mainline VSWR : | 1.40 : 1 |
| Coupling line VSWR : | 1.50 : 1 |
| Power Handling : | 200 W average 2000 W peak (10% DC < 1ms) |
| Mainline Connectors : | TNC Female (Input) TNC Female (Output) |
| Coupling line Connectors : | SMA Female |
| Operating Temperature : | -55 to 100°C |
| Pressure : | 70 to 1200 mbar |
| Altitude : | 60 000 feet operate |
| Vibrations : | 10-2000Hz-0.1g ² /Hz 100-1000Hz-1g ² /Hz Duration : 1 H/axis for 3 axis |
| Chocks : | 30g half-sinus Duration : 11ms/axis for 3 axis |



| | | | | | |
|----------|--------|---------------------------------|--|--------------------------------------------------|--|
| | | Matière : Aluminum | | Titre : DIRECTIONAL COUPLER 6-18 GHz | |
| | | Taitement : Silver Finish | | 40 dB Coupling - 200 W CW | |
| | | Classif. : 2 | | Document N° : CD-1-6000-18000-40-200-TF-TF-SF | |
| | | Tolérance générale : ± 0.5mm | | Date : 10/06/16 Dessiné par : smellaza | |
| 29/05/15 | | Mainline VSWR : 1.40:1 max. | | Echelle : 1 : 1 | |
| Date | Indice | Nature de la modification | | Niv. Sup. 1 / 1 | |