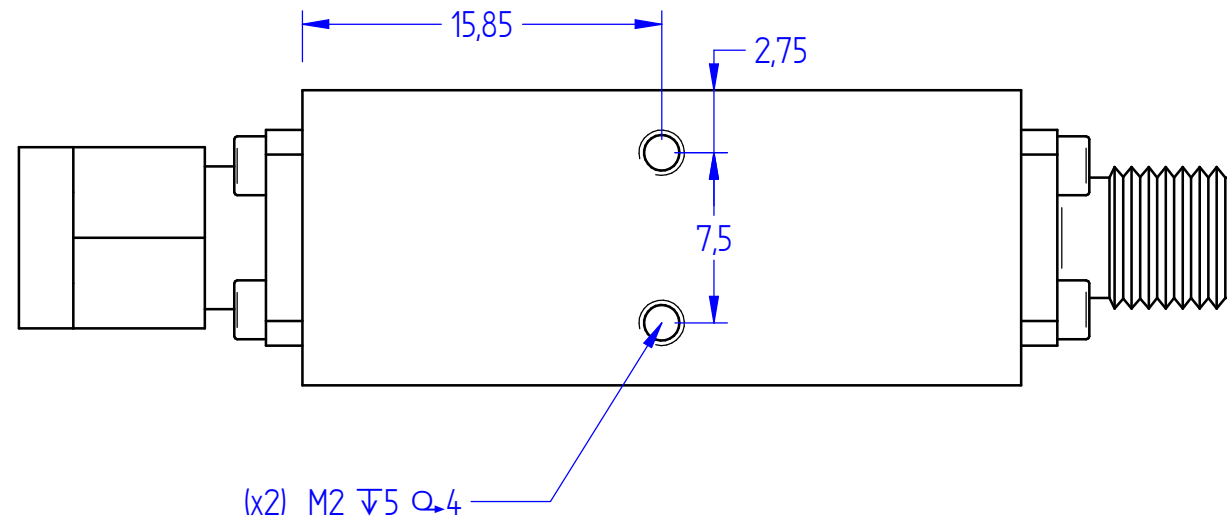
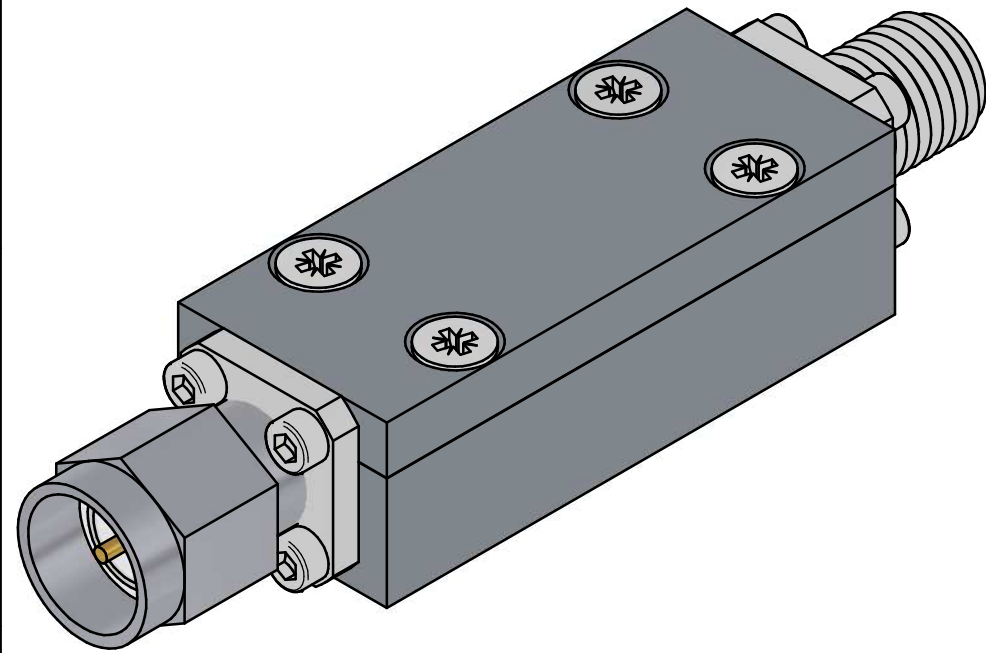
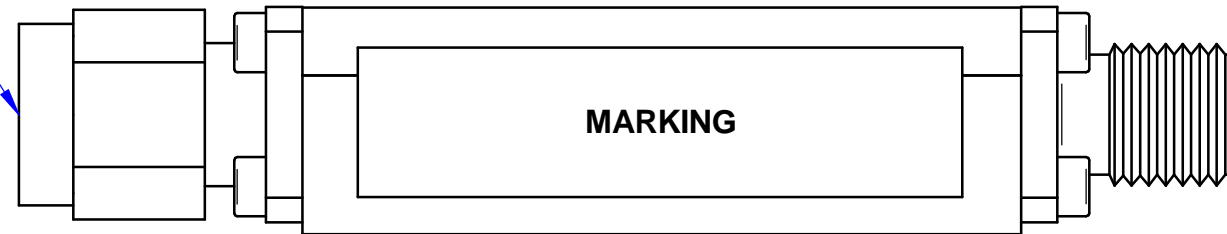


This document is subject to change without notice  
This document is the exclusive property of DÉTI SAS and cannot be communicated to third parties or reproduced without prior written permission



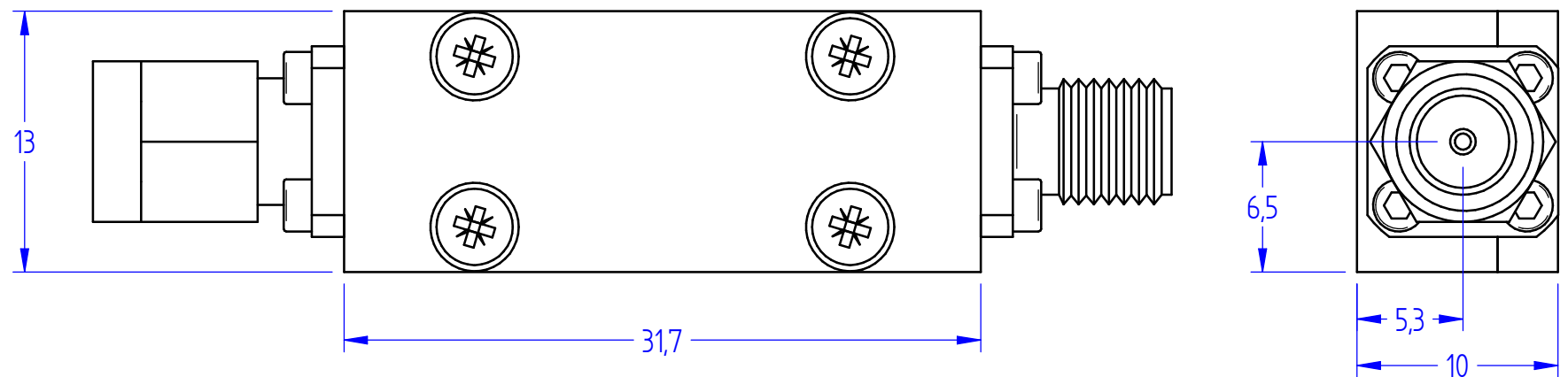
Male SMA connector



Femelle SMA connector

## TECHNICAL SPECIFICATIONS

- Frequency Range :** DC - 18000 MHz
- Insertion Loss :** 1.0 dB max.
- VSWR :** 1.7 :1 max.
- Rejection:** 20 dB min. @ 20 GHz  
30 dB min. 21.5 GHz to 30 GHz
- Power handling :** 2 W CW
- Operating Temperature :** -40°C to +85°C
- Storage Temperature :** -55°C to +125°C



Last rev. additional information :							Material : Aluminum		Titre : Filtre passe bas DC - 18GHz	
							Treatment : Silver plated		Title : Low Pass Filter DC - 18 GHz	
							Finish : -		Comment : LPF-SS-18000-20000-30000-20-SM-SF	
							Gen. Tol. : ISO2768mK		Document Number : LPF-SS-18000-20000-30000-20-SM-SF	
							Orientation :		Drawn : smellaza	
							Size : A3		Date : 19/07/2019	
							Classif. : 2		Date : 19/07/2019	
							Scale : 3:1		Date : 19/07/2019	
							Sheet : 1 / 1			
Rev.	Change	Drawn	Date	Check	Date	Approb.	Date			
-	Initial draft	S. Mellaza	19/07/2019							



www.deti-sa.com