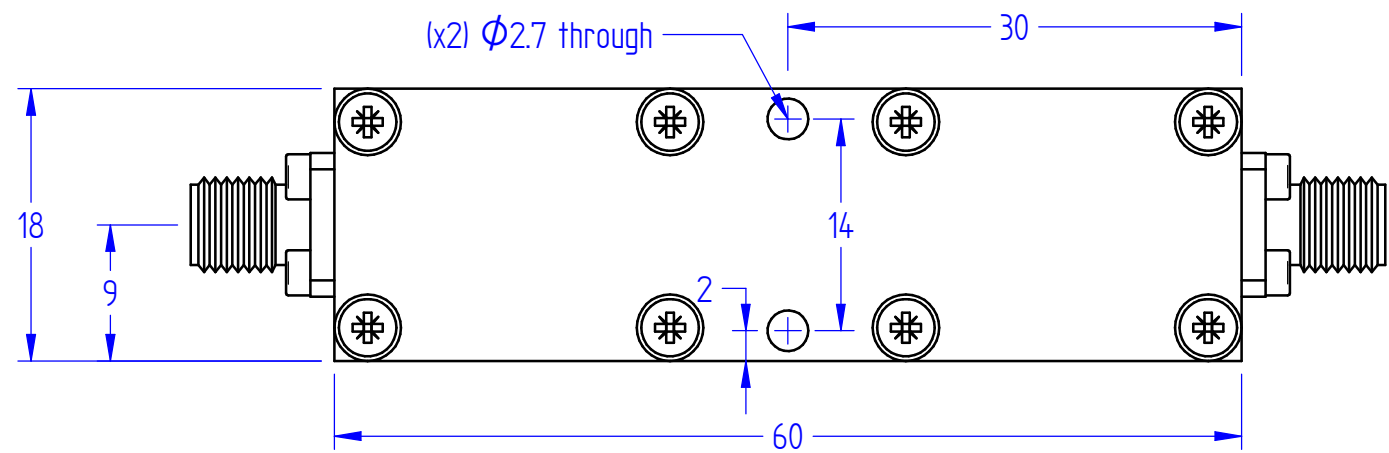
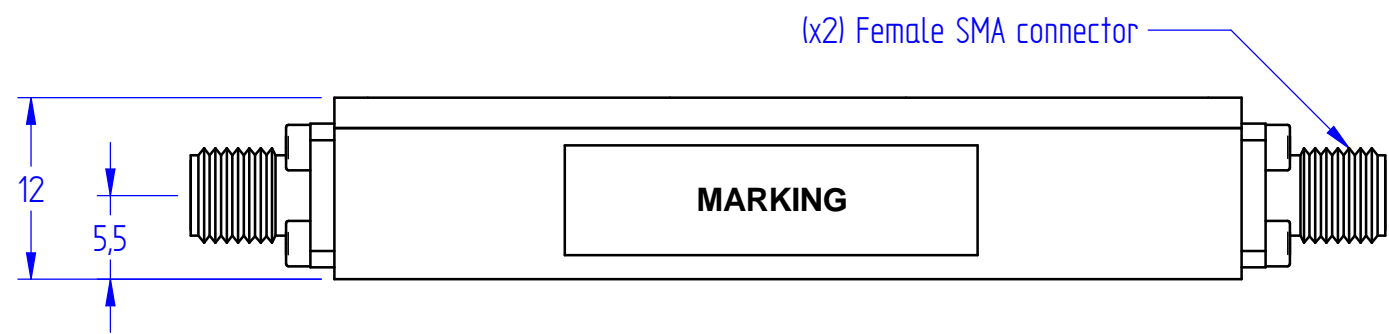
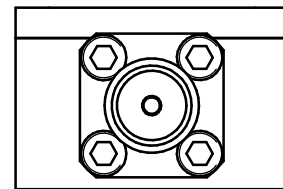
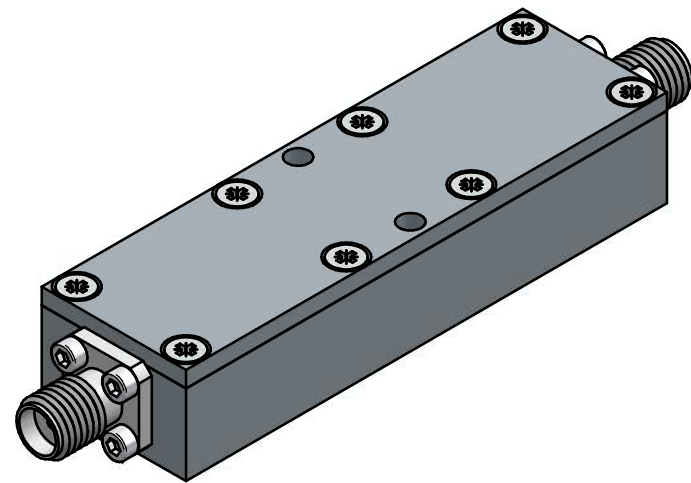


This document is subject to change without notice
This document is the exclusive property of DÉTI SAS and cannot be communicated to third parties or reproduced without prior written permission



TECHNICAL SPECIFICATIONS

Frequency Range :	DC - 3000 MHz
Insertion Loss :	1.0 dB max.
VSWR :	1.5 :1 max.
Rejection :	40 dB min. 4.6 - 12 GHz
Power handling :	2 W CW
Operating Temperature :	-40°C to +85°C
Storage Temperature :	-55°C to +125°C

Last rev. additional information :						Material : Aluminum		Titre : Filtre passe-bas DC - 3 GHz	
						Treatment : Surtec 650		Title : Low Pass Filter DC - 3 GHz	
						Finish : Black paint		Comment : LPF-SS-3000-4600-12000-40-SF-SF	
						Gen. Tol. : ISO2768mK		Document Number : LPF-SS-3000-4600-12000-40-SF-SF	
						Orientation :		Drawn : smellaza	
- Initial draft						S. Mellaza		Date : 21/01/2020	
- Change						A. Le Gouellec		Date : 21/01/2020	
Rev.	Change	Drawn	Date	Check	Date	Approb.	Date	Scale : 2:1	Sheet : 1 / 1

