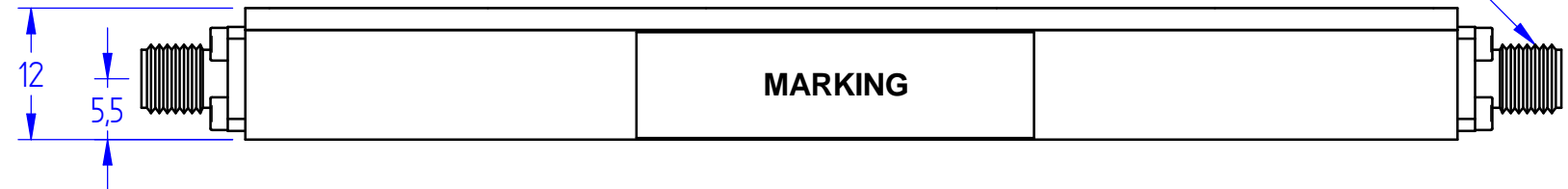
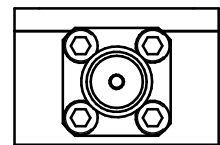
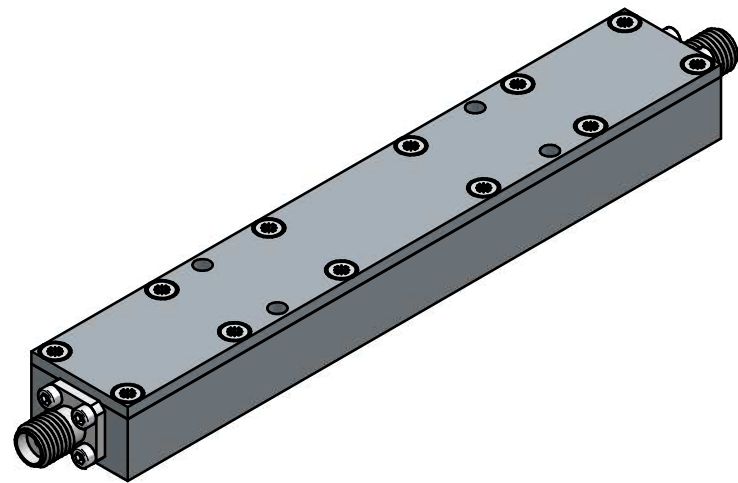
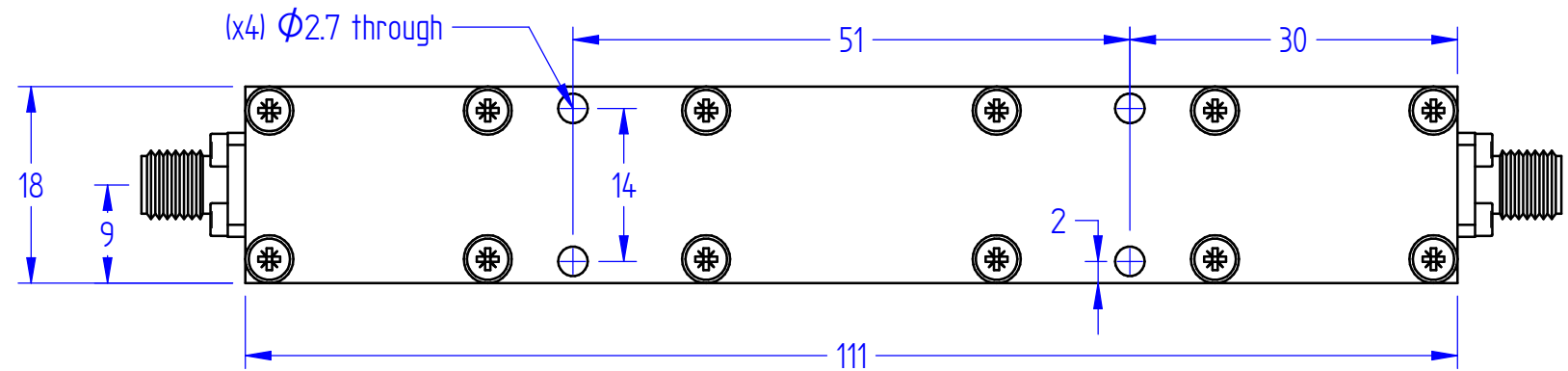


This document is subject to change without notice
This document is the exclusive property of DÉTI SAS and cannot be communicated to third parties or reproduced without prior written permission



(x2) Female SMA connector



TECHNICAL SPECIFICATIONS

Frequency Range :	DC - 1000 MHz
Insertion Loss :	1.0 dB max.
VSWR :	1.5 :1 max.
Rejection :	40 dB min. 1.5 - 10 GHz
Power handling :	2 W CW
Operating Temperature :	-40°C to +85°C
Storage Temperature :	-55°C to +125°C

Last rev. additional information :						Material : Aluminum		Titre : Filtre passe-bas DC - 1 GHz	
						Treatment : Silver plated		Title : Low Pass Filter DC - 1 GHz	
						Finish : -		Comment : LPF-SS-1000-1500-10000-40-SF-SF	
						Gen. Tol. : ISO2768mK		Document Number : LPF-SS-1000-1500-10000-40-SF-SF	
						Orientation :		Drawn : smellaza	
- Initial draft		S. Mellaza 21/01/2020		A. Le Gouellec 21/01/2020		Size : A3		Date : 21/01/2020	
Rev. Change		Drawn Date		Check Date		Scale : 1.5:1		Sheet : 1 / 1	



www.deti-sa.com