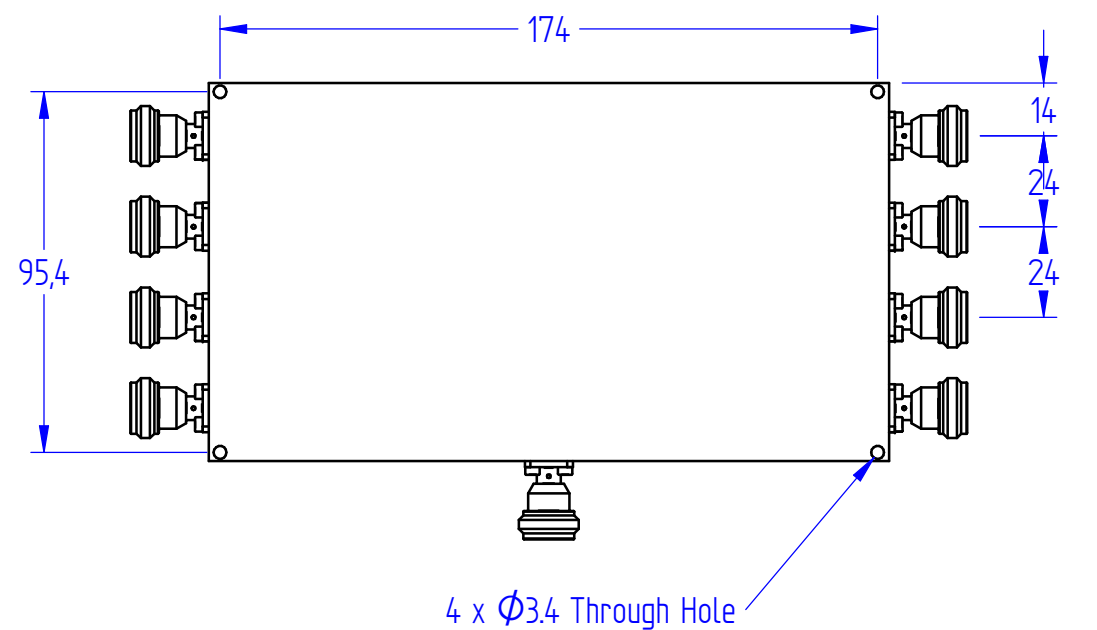
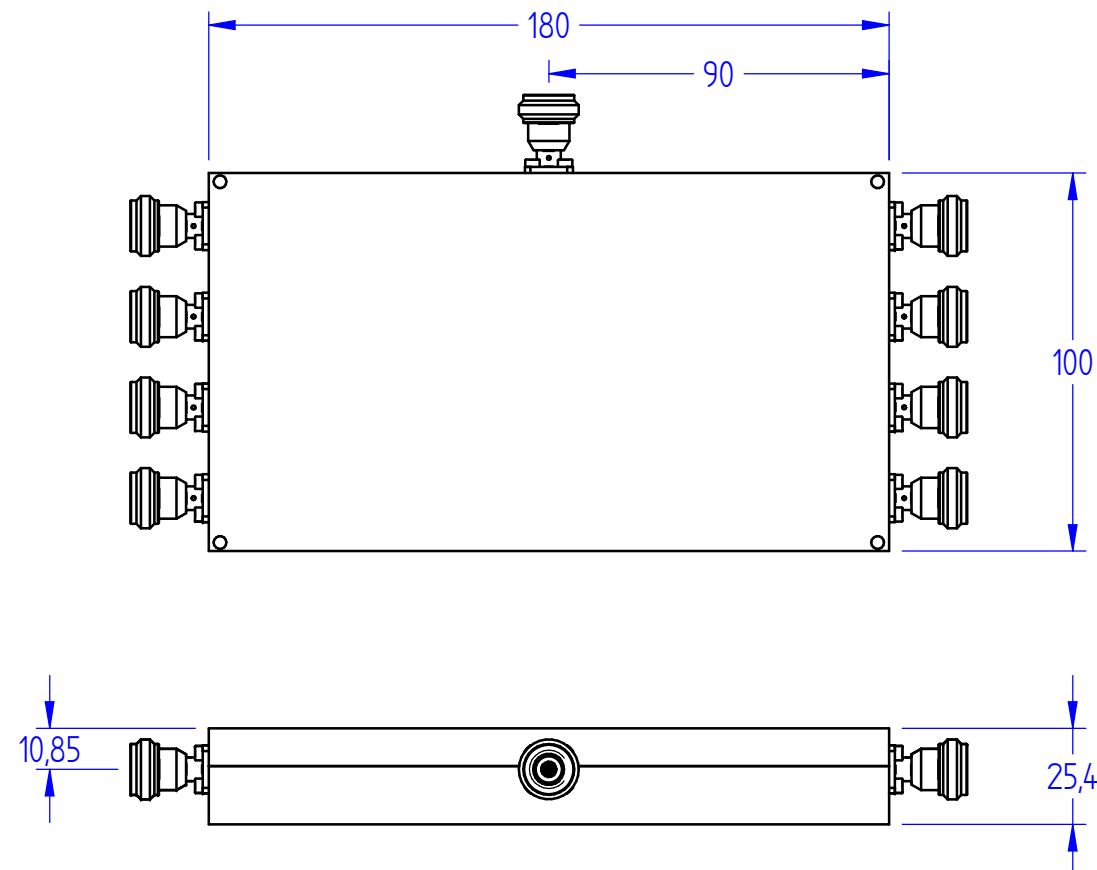
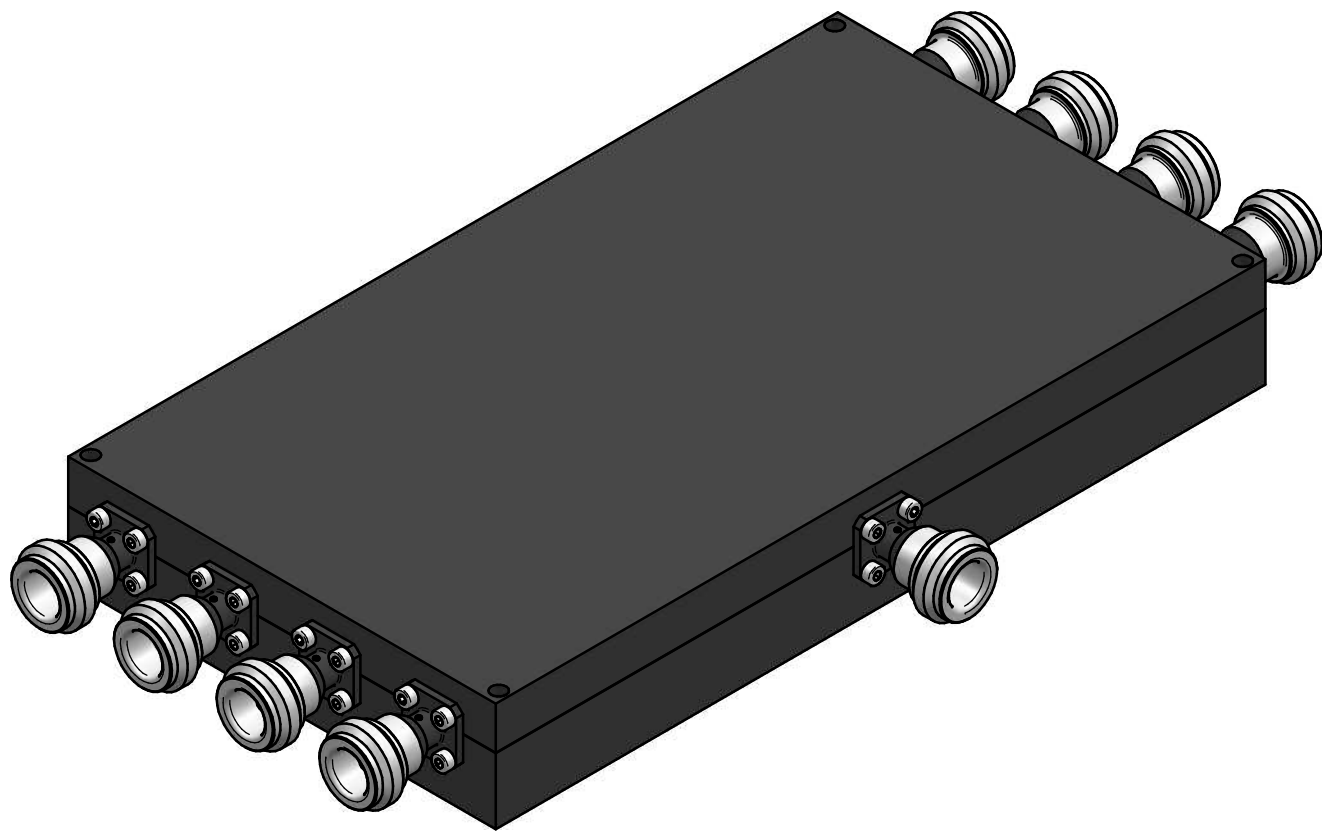

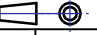


This document is subject to change without notice. This document is the exclusive property of DÉTI SAS and cannot be communicated to third parties or reproduced without prior written permission.



TECHNICAL SPECIFICATIONS

Frequency Range :	5500 - 6000 MHz
Insertion Loss :	1 dB max.
VSWR :	1.5 :1 max.
Isolation :	18 dB min.
Amplitude Balance :	+/- 0.5 dB
Phase Balance :	+/- 5°
Power Handling :	400 W average 4 kW peak @ 10% DC
Operating Temperature :	-40 °C to +55 °C
Storage Temperature :	-55 °C to +125°C
Input Connector :	N Female
Output Connector :	NFemale

Last rev. additional information :					Material : Aluminium 6082		Titre : Combiner de puissance 8 voies			
					Treatment : Surtec 650		Titre : 8-Way Power Combiner			
					Finish : Black paint		Comment : 5500-6000 MHz - 400 W CW			
					Gen. Tol. : ISO 2768 - mK		Document Number : CO-8-5500-6000-400-NF-NF			
					Orientation : 		Date : 13/02/2020			
Rev.	Change	Drawn	Date	Check	Date	Approb.	Date	Scale : 1:2	Sheet : 1 / 1	Drawn : wkherraz