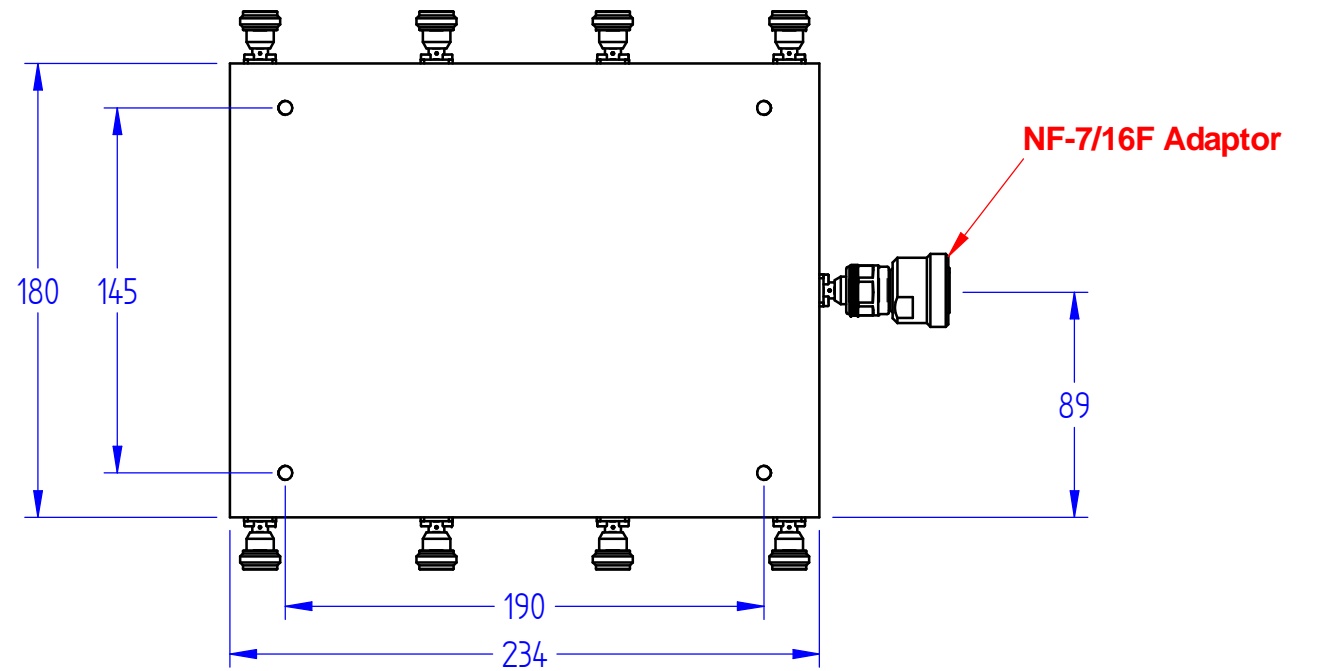
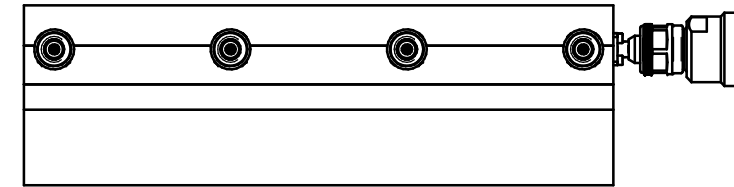
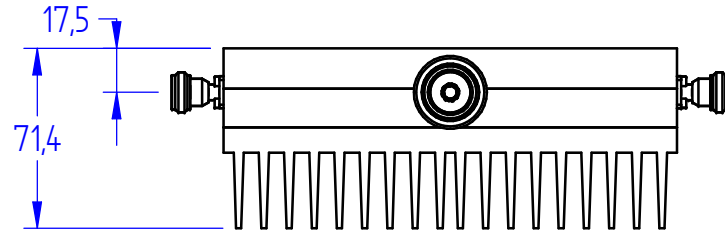
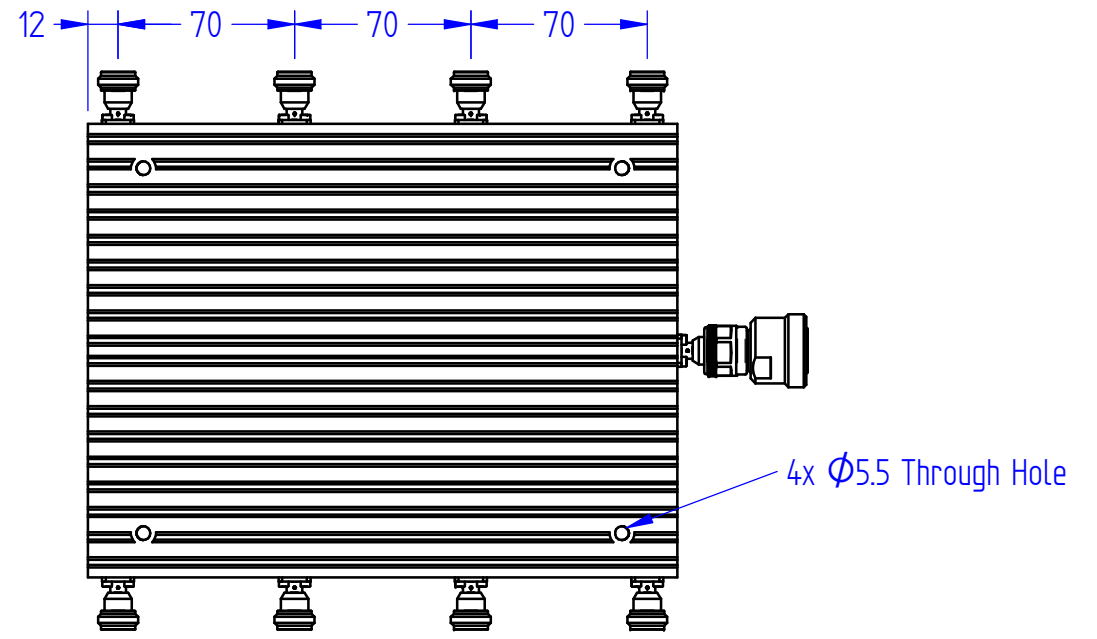
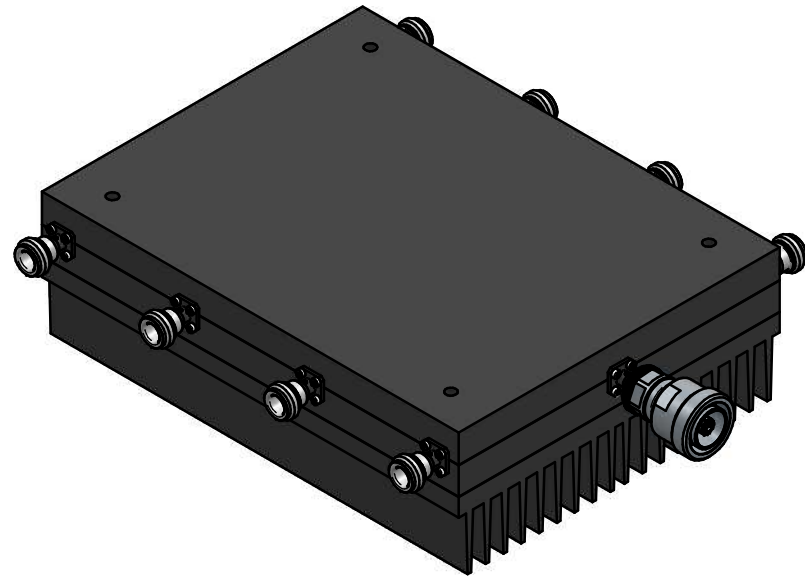




This document is subject to change without notice. This document is the exclusive property of DÉTI SAS and cannot be communicated to third parties or reproduced without prior written permission.



TECHNICAL SPECIFICATIONS

- Frequency Range :** 5400 - 5900 MHz
- Insertion Loss :** 1.3 dB max.
- VSWR :** 1.5 :1 max.
- Isolation :** 18 dB min.
- Amplitude Balance :** +/- 0.5 dB
- Phase Balance :** +/- 5°
- Power Handling :** 640 W average
6.4 kW peak @ 10% DC
- Operating Temperature :** -40 °C to +55 °C
- Storage Temperature :** -55 °C to +125°C
- Input Connectors :** N Female
- Output Connector :** N Female + 7/16 Female Adaptor

Last rev. additional information :							Material : Aluminum		Titre : Combiner de puissance 8 voies		
							Treatment : Surtec 650		Titre : 8-Way Power Combiner		
							Finish : Black paint		Comment : CO-8-5400-5900-640-NF-716F		
							Gen. Tol. : ISO 2768 - mK		Document Number : CO-8-5400-5900-640-NF-716F		
							Orientation : 		Date : 08/10/2020		
Rev.	Initial Draft	W.Kherraz	08/10/2020	S. Mellaza	09/10/2020		Size : A3	Classif. : 2	Drawn : wkherraz		
	Change	Drawn	Date	Check	Date	Approb.	Scale : 1:3	Sheet : 1 / 1			