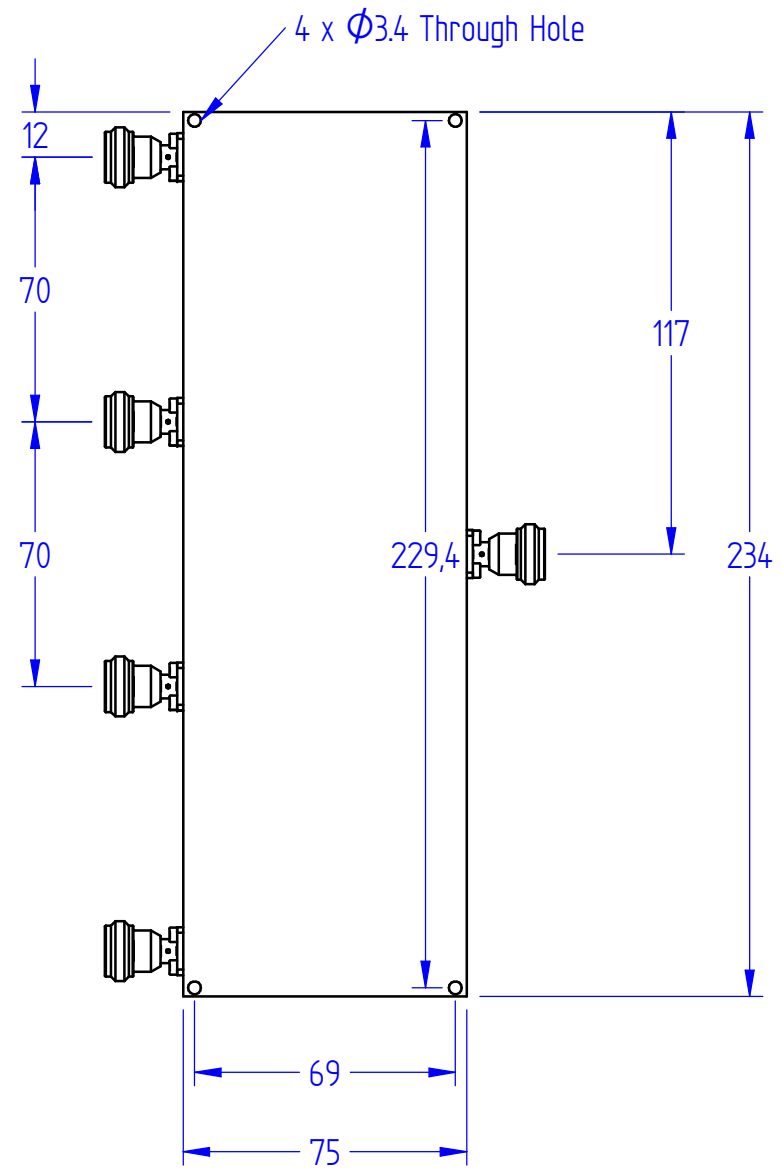
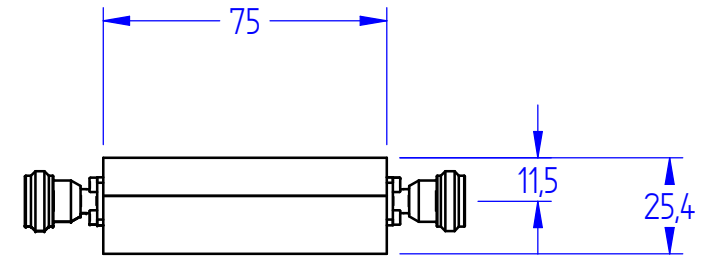
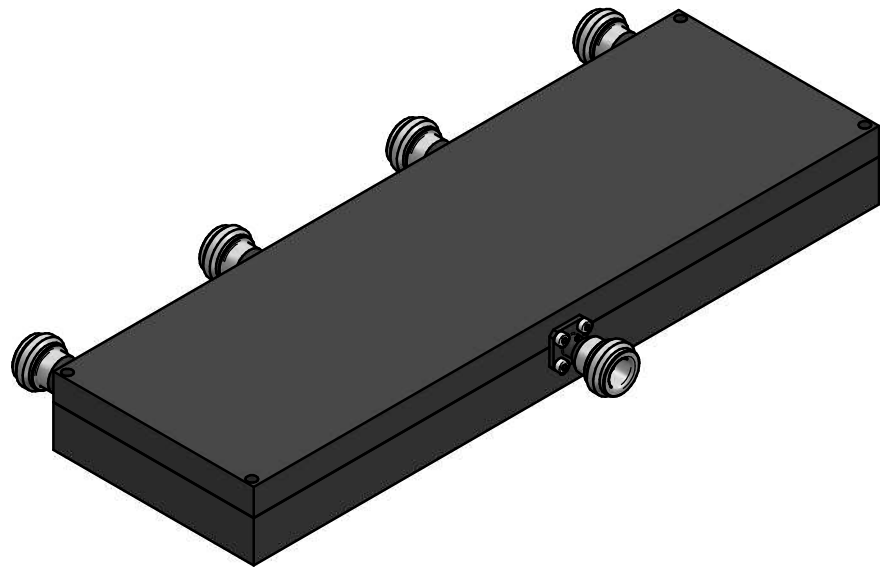


This document is subject to change without notice
This document is the exclusive property of DÉTI SAS and cannot be communicated to third parties or reproduced without prior written permission



TECHNICAL SPECIFICATIONS

- Frequency Range :** 5400 - 5900 MHz
- Insertion Loss :** 0.9 dB max.
- VSWR :** 1.4 :1 max.
- Isolation :** 18 dB min.
- Amplitude Balance :** +/- 0.3 dB
- Phase Balance :** +/- 3°
- Power Handling :** 400 W average
4 kW peak @ 10% DC
- Operating Temperature :** -40 °C to +55 °C
- Storage Temperature :** -55 °C to +125°C
- Input Connector :** N Female
- Output Connectors :** NFemale

Last rev. additional information :						Material : Aluminum		Titre : Combineur de puissance 4 voies	
						Treatment : Surtec 650		Title : 4-Way Power Combiner	
						Finish : Black paint		Comment : CO-4-5400-5900-400-NF-NF	
- Augmentation des pertes d'insertion à 0.9dB						Gen. Tol. : ISO 2768 - mK		Document Number : CO-4-5400-5900-400-NF-NF	
- Modification entraxe connecteur de 25.4 à 70mm						Orientation :		Drawn : wkherraz	
- Création du document						Size : A3		Date : 17/02/2020	
Rev.	Change	Drawn	Date	Check	Date	Approb.	Date	Scale : 1:2	Sheet : 1 / 1

