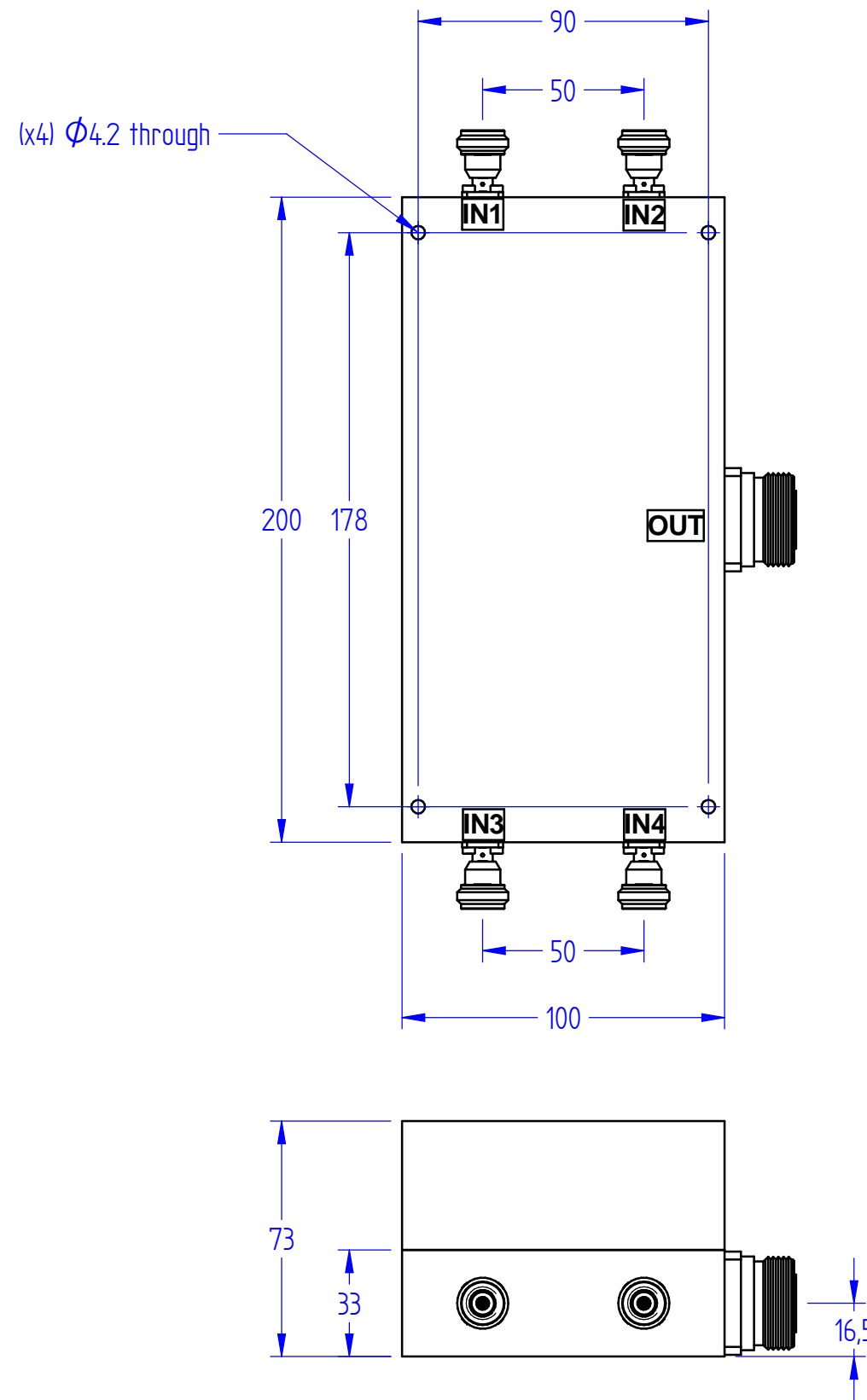
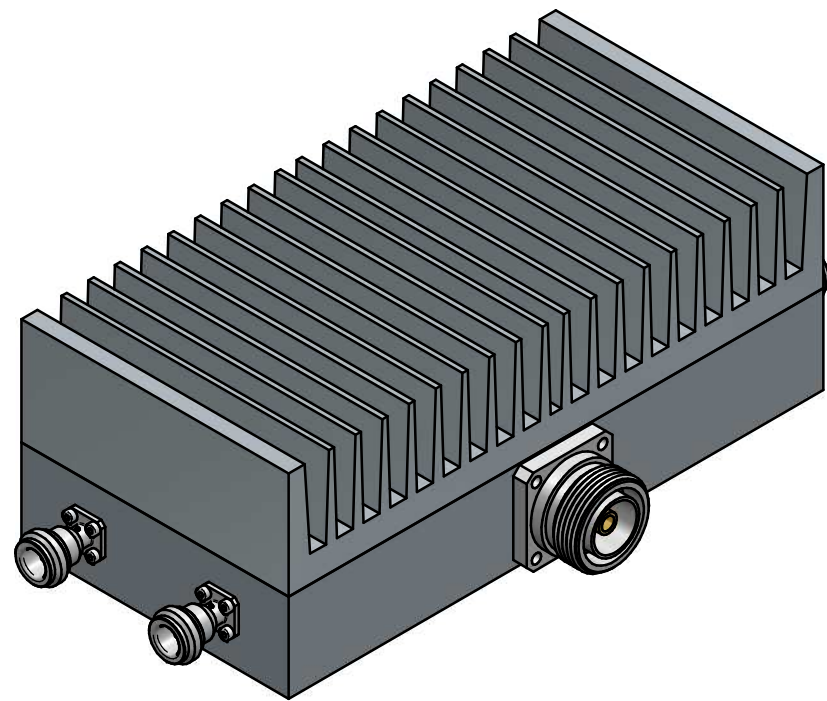




This document is subject to change without notice  
This document is the exclusive property of DÉTI SAS and cannot be communicated to third parties or reproduced without prior written permission



### TECHNICAL SPECIFICATIONS

- Frequency Range :** 4400 - 5000 MHz
- Insertion Loss :** 0.7 dB max.
- VSWR :** 1.5 :1 max.
- Isolation :** 15 dB min.
- Amplitude Balance :** +/- 0.2 dB max.
- Phase Balance :** +/- 5° max.
- Power Handling :** 1000 W CW
- Operating Temperature :** -40 °C to +55 °C
- Storage Temperature :** -55 °C to +125°C
- Input Connectors :** N Female
- Output Connector :** 7-16 DIN Female

Last rev. additional information :							Material : Aluminum		Titre : Combineur de puissance 4 voies - 1000 W		
							Treatment : Surtec 650		Titre : 4-Way Power Combiner - 1000 W		
							Finish : Black paint		Comment : CO-4-4400-5000-1000-716F-NF		
							Gen. Tol. : ISO 2768 - mK		Document Number : CO-4-4400-5000-1000-716F-NF		
							Orientation : 		Drawn : smellaza		
Rev.	Initial draft	S. Mellaza	08/09/2020	W.Kherraz	09/09/2020		Scale : 1:2	Sheet : 1 / 1	Date : 07/09/2020		
	Change	Drawn	Date	Check	Date	Approb.					