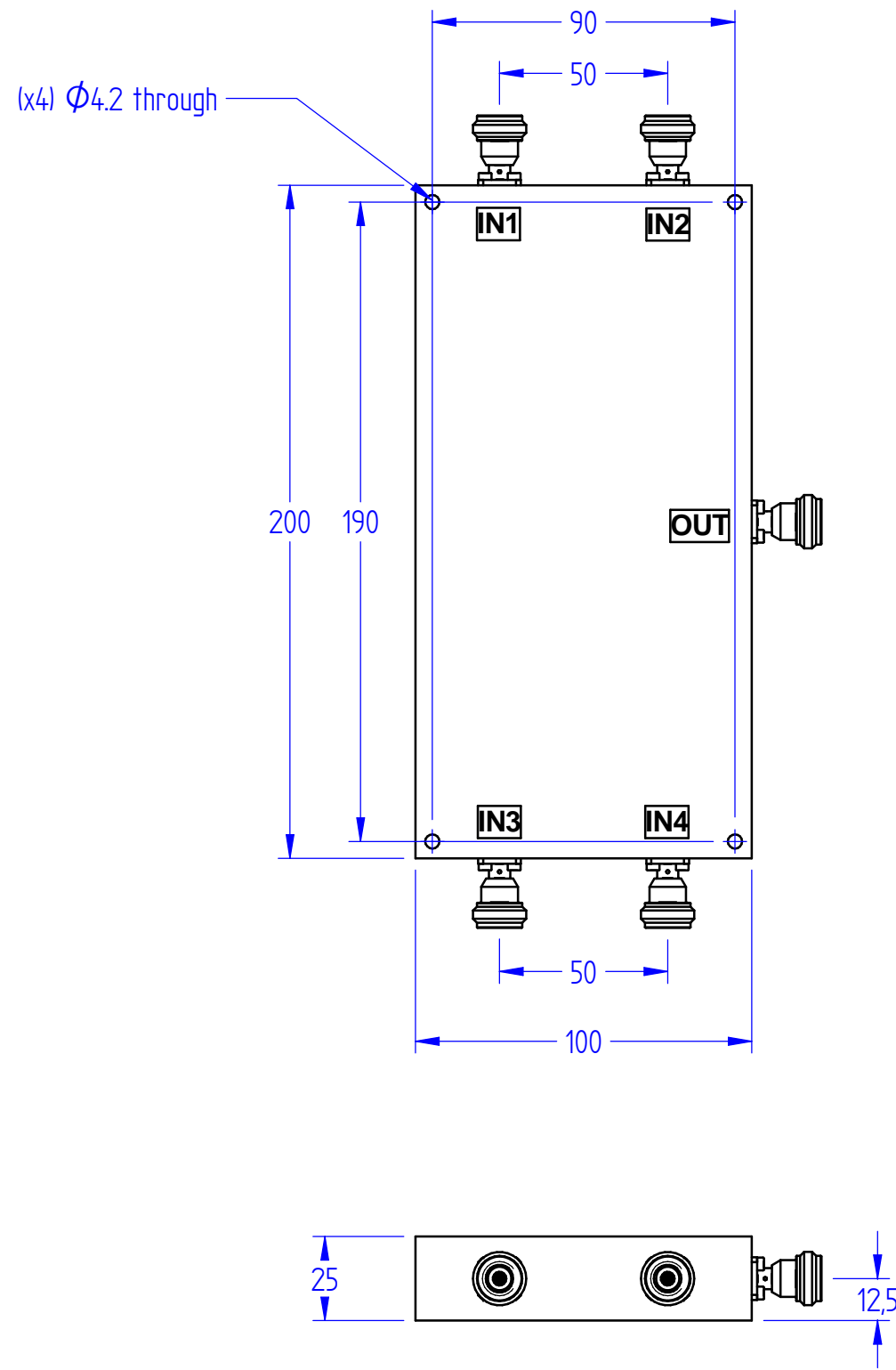
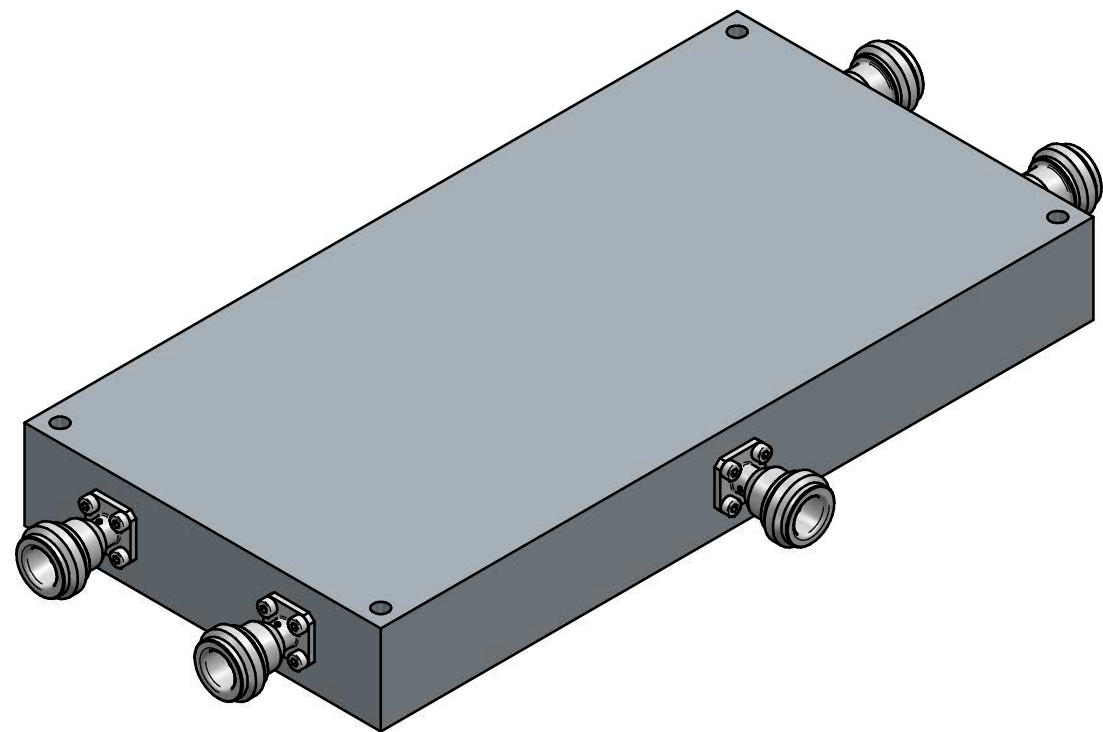


This document is subject to change without notice  
This document is the exclusive property of DÉTI SAS and cannot be communicated to third parties or reproduced without prior written permission



## TECHNICAL SPECIFICATIONS

Frequency Range :	4400 - 5000 MHz
Insertion Loss :	0.7 dB max.
VSWR :	1.5 :1 max.
Isolation :	15 dB min.
Amplitude Balance :	+/- 0.2 dB max.
Phase Balance :	+/- 5° max.
Power Handling :	200 W CW
Operating Temperature :	-40 °C to +55 °C
Storage Temperature :	-55 °C to +125°C
Input Connectors :	N Female
Output Connector :	N Female

Last rev. additional information :							Material : Aluminum		Titre : Combineur de puissance 4 voies - 200 W	
							Treatment : Surtec 650		Titre : 4-Way Power Combiner - 200 W	
							Finish : Black paint		Comment : CO-4-4400-5000-200-NF-NF	
							Gen. Tol. : ISO 2768 - mK		Document Number : CO-4-4400-5000-200-NF-NF	
							Orientation :		Drawn : smellaza	
							Size : A3		Date : 07/09/2020	
							Scale : 1:2			
							Sheet : 1 / 1			
Rev.	Change	Drawn	Date	Check	Date	Approb.	Date			
-	Initial draft	S. Mellaza	08/09/2020	W.Kherraz	09/09/2020					

