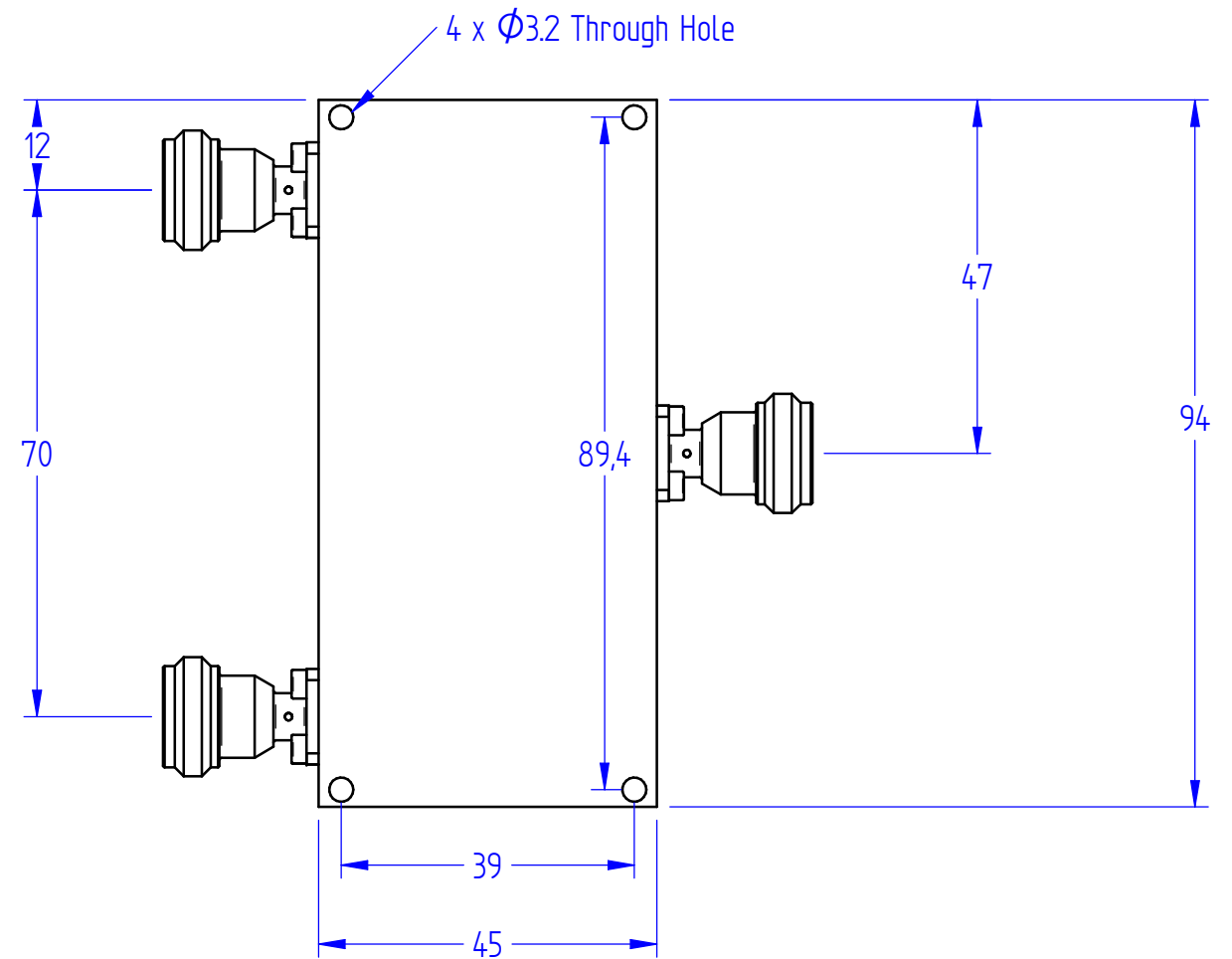
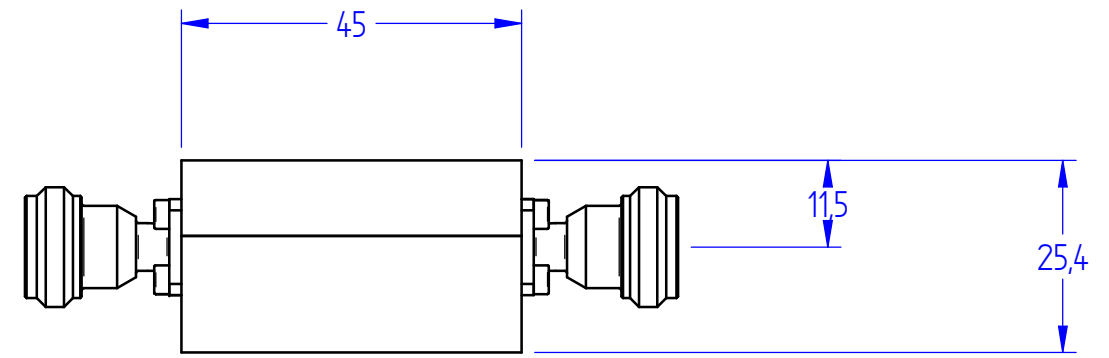
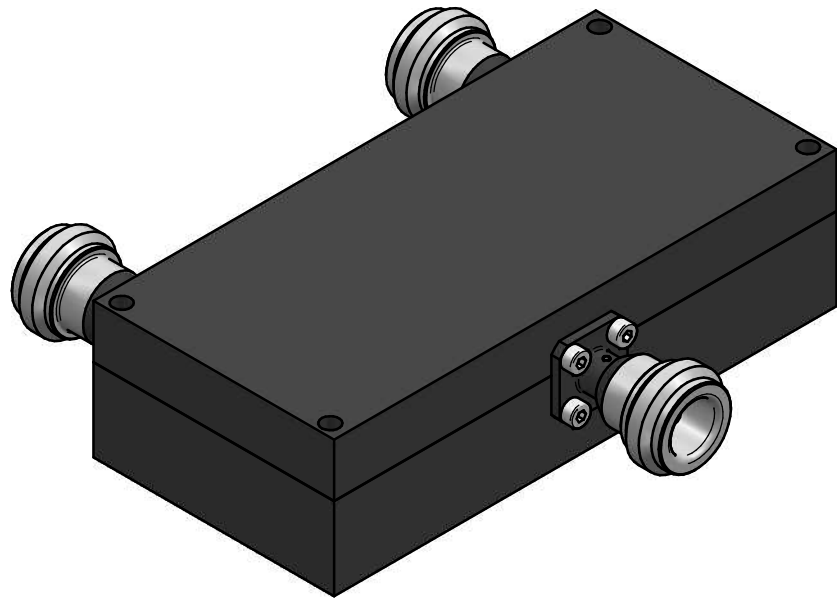


This document is subject to change without notice
This document is the exclusive property of DÉTI SAS and cannot be communicated to third parties or reproduced without prior written permission



TECHNICAL SPECIFICATIONS

Frequency Range :	5400 - 5900 MHz
Insertion Loss :	0.4 dB max.
VSWR :	1.3 :1 max.
Isolation :	18 dB min.
Amplitude Balance :	+/- 0.2 dB
Phase Balance :	+/- 3°
Power Handling :	400 W average 4 kW peak @ 10% DC
Operating Temperature :	-40 °C to +55 °C
Storage Temperature	-55 °C to +125°C
Input Connectors :	N Female
Output Connector :	NFemale

Last rev. additional information :						Material : Aluminum		Titre : Combineur de puissance 2 voies	
						Treatment : Surtec 650		Title : 2-Way Power Combiner	
						Finish : Black paint			
						Gen. Tol. : ISO 2768 - mK			
- Modification entraxe connecteur de 25.4 à 70mm						Orientation :		Comment : CO-2-5400-5900-400-NF-NF	
- Création du document						Size : A3		Document Number : CO-2-5400-5900-400-NF-NF	
Rev. Change						Scale : 1:1		Drawn : wkherraz	
Drawn Date Check Date						Sheet : 1 / 1		Date : 17/02/2020	

