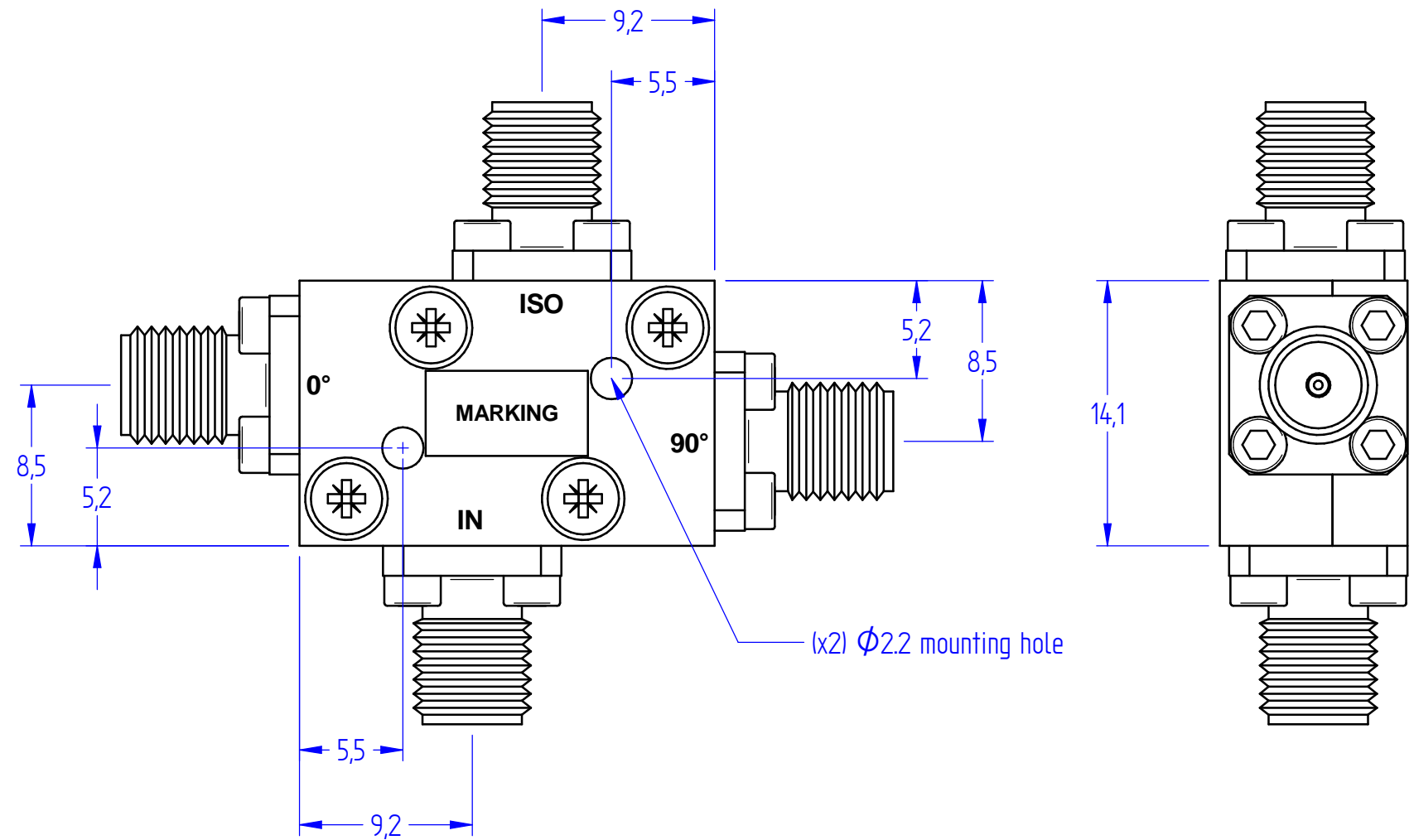
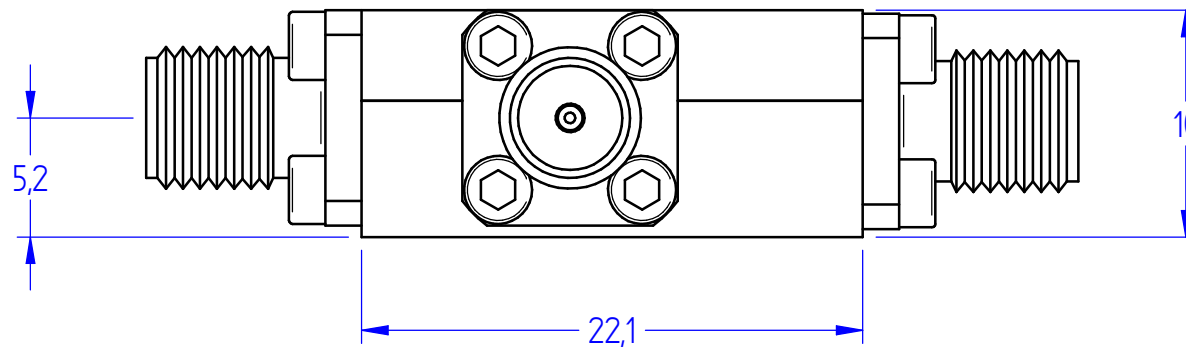
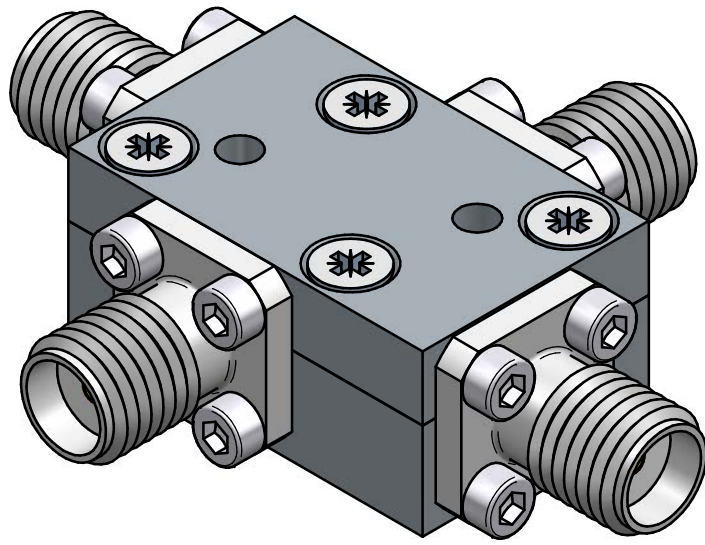


This document is subject to change without notice
This document is the exclusive property of DÉTI SAS and cannot be communicated to third parties or reproduced without prior written permission



SPECIFICATIONS

- Frequency Range :** 25.5 - 27 GHz
- Insertion Loss :** 3.5 ± 0.5 dB
- Isolation :** 18 dB min.
- Amplitude balance :** ± 0.5 dB max.
- Phase balance :** ± 3° max.
- VSWR :** 1.50 : 1 max.
- Power Handling :** 10W average @ 1.20:1 load VSWR
- Connectors :** Main line K female
Coupling line K female
- Operating Temperature :** -40 to 85°C

| | | | | | | | | | | |
|------------------------------------|---------------|------------|------------|-----------|------------|---------|---------------------------|--|--|--|
| Last rev. additional information : | | | | | | | Material : Aluminum | | Titre : Coupleur hybride 90° 25.5 - 27 GHz | |
| | | | | | | | Treatment : Surtec 650 | | Titre : 25.5 - 27 GHz 90° hybrid coupler | |
| | | | | | | | Finish : Black paint | | Comment : CH-90-25500-27000-10-KF | |
| | | | | | | | Gen. Tol. : Iso 2768 - mK | | Document Number : 800301 1501A | |
| | | | | | | | Orientation : | | Drawn : smellaza | |
| | | | | | | | Size : A3 | | Date : 14/04/2022 | |
| | | | | | | | Classif. : 2 | | | |
| | | | | | | | Scale : 3:1 | | | |
| | | | | | | | Sheet : 1 / 1 | | | |
| Rev. | Change | Drawn | Date | Check | Date | Approb. | Date | | | |
| A | Initial draft | S. Mellaza | 14/04/2022 | W.Kherraz | 11/05/2022 | | | | | |



www.deti-sa.com