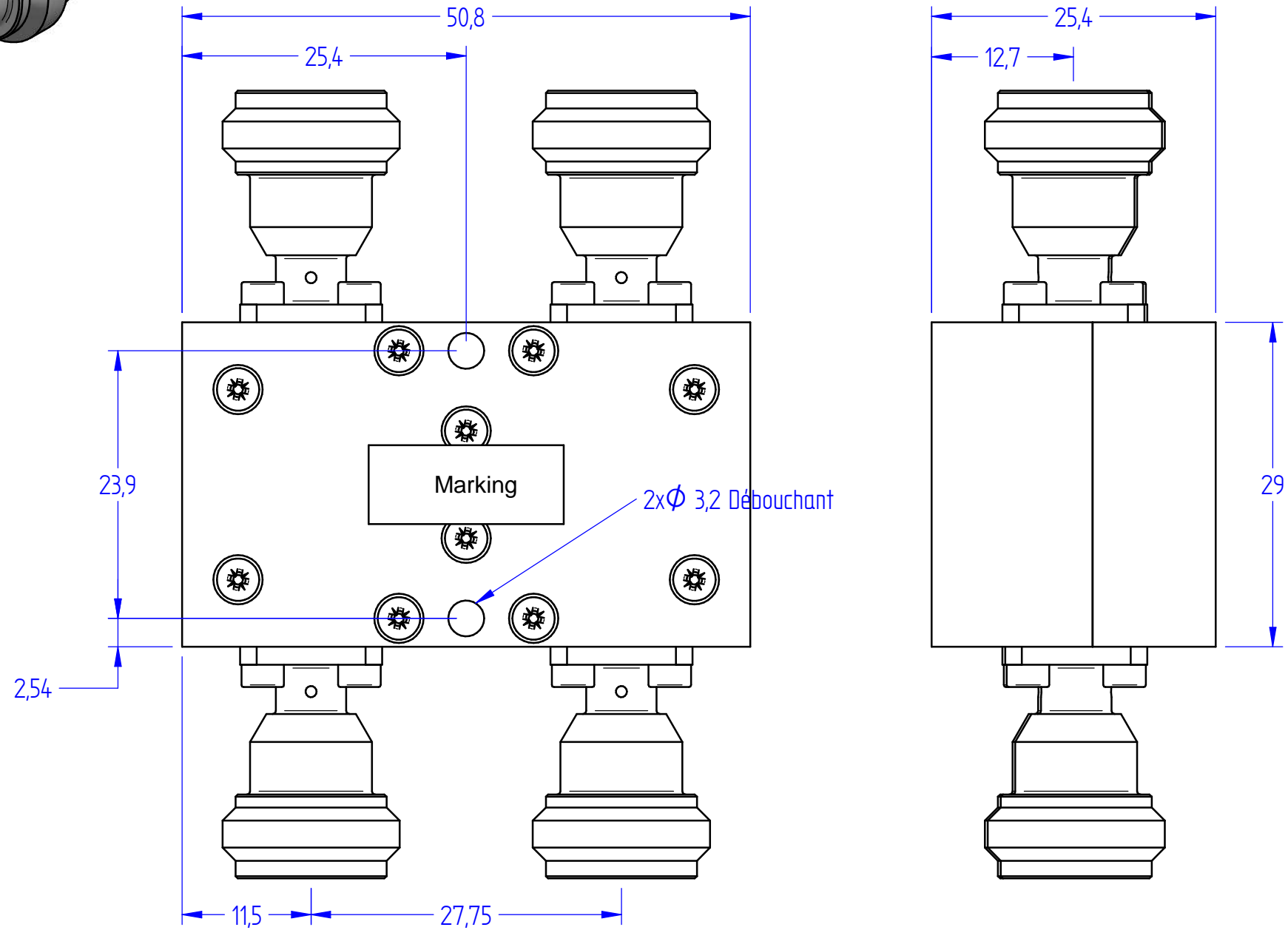
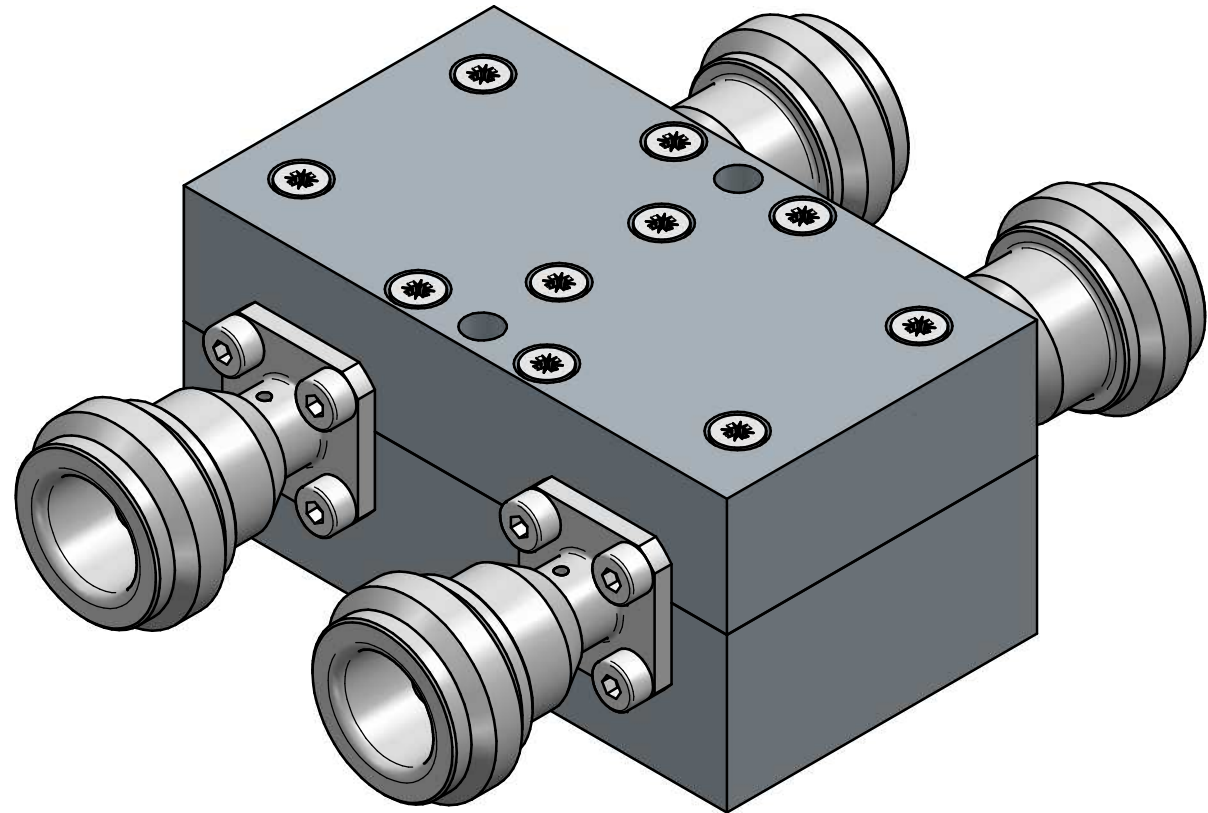


This document is subject to change without notice
This document is the exclusive property of DÉTI SAS and cannot be communicated to third parties or reproduced without prior written permission



TECHNICAL SPECIFICATIONS

- Frequency Range :** 2000 - 4000 MHz
- Coupling value (loss excluded) :** 3 dB ± 0.5 dB
- Insertion loss :** 0.5 dB max.
- Amplitude balance :** ± 0.5 dB max.
- Phase Balance :** ± 5 ° max.
- VSWR :** 1.25 :1 max.
- Isolation :** 20 dB min.
- Power Handling :** 400 W CW
1.6 kW peak 25% DC @ 1 kHz PRF
- Operating Temperature :** -10 °C to +50 °C
- Storage Temperature :** -10 °C to +50 °C
- Humidity :** 55 to 95% RH @ 40°C
- In/out Connectors :** N Female

Last rev. additional information :							Material : Aluminium 6082		Titre : Coupleur Hybride 3dB 90°	
							Treatment : Silver plated		Title : 90° 3dB Hybrid Coupler	
							Finish : Black painted		Comment : CH-90-2000-4000-400-NF	
							Gen. Tol. : ISO 2768 - mK		Document Number : 800174 1601A	
							Orientation :		Drawn : wkherraz	
							Size : A3		Date : 07/10/2019	
							Classif. : 2			
							Scale : 2:1			
							Sheet : 1 / 1			

