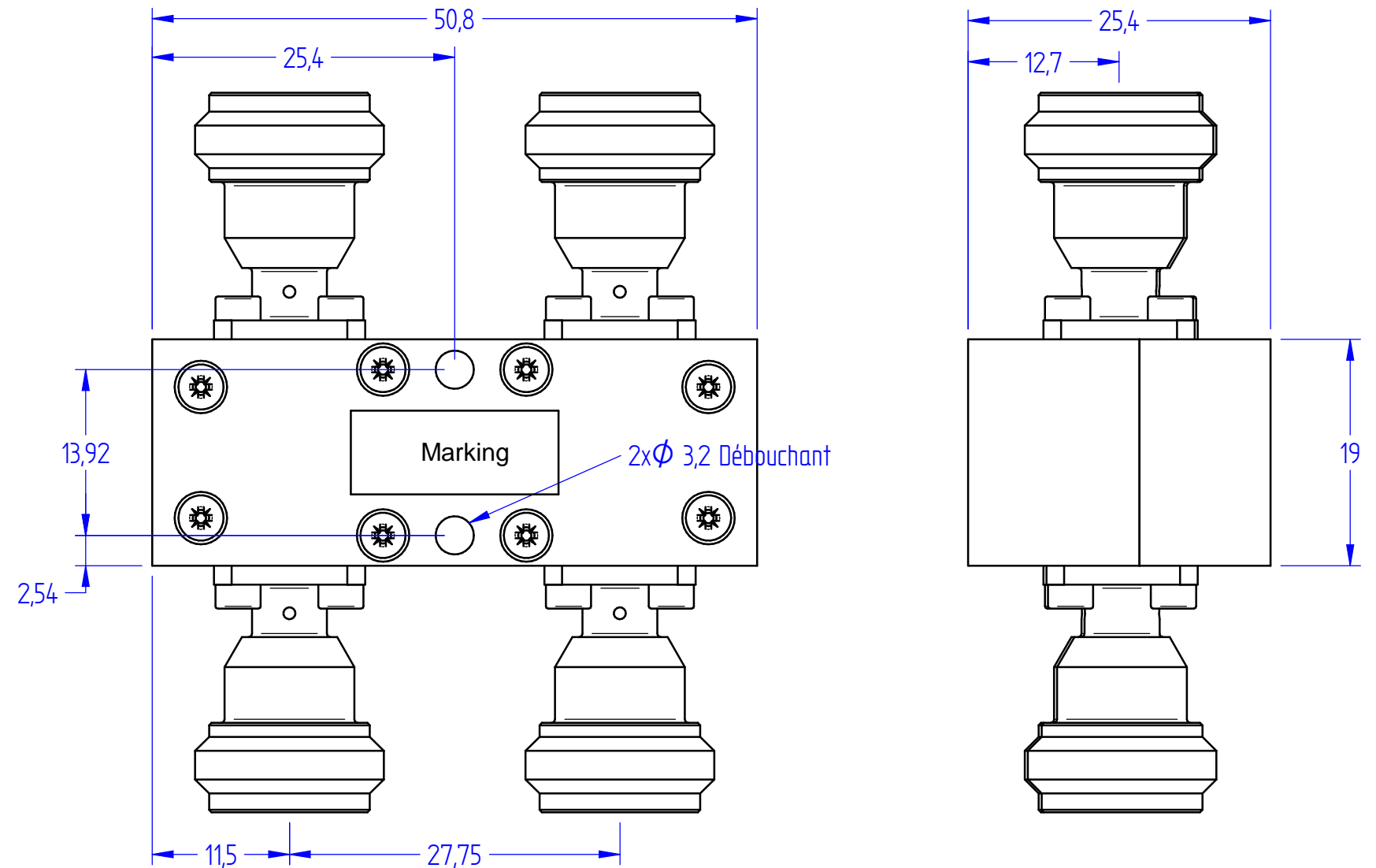
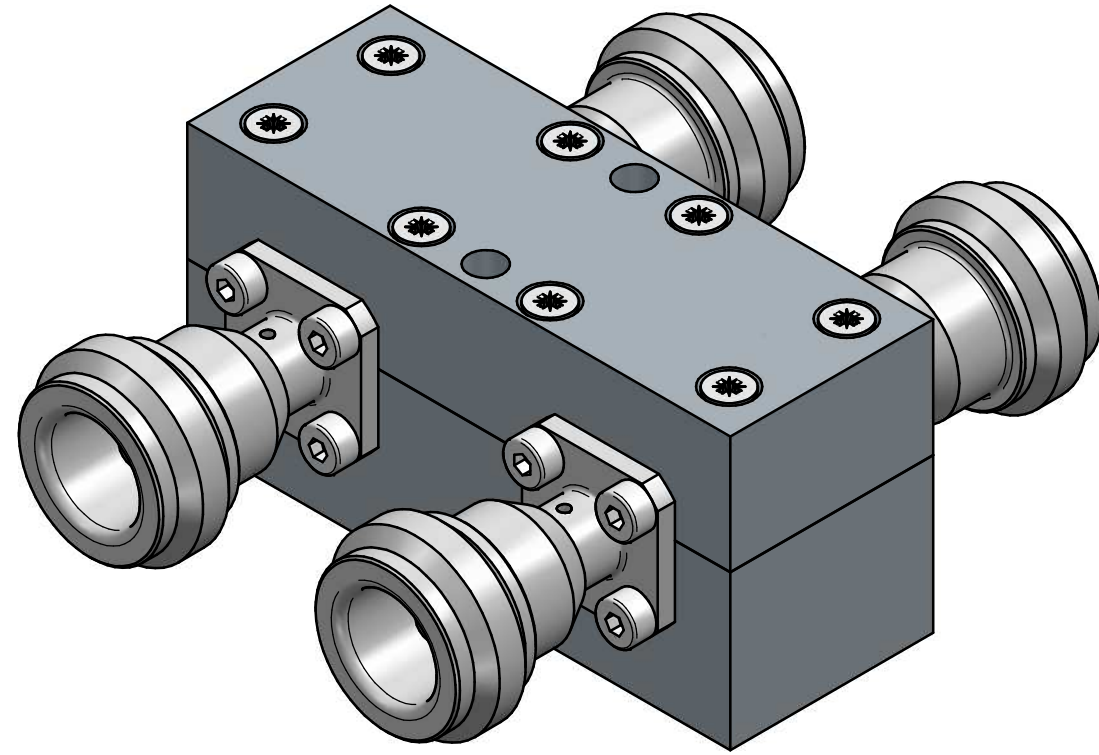


This document is subject to change without notice
This document is the exclusive property of DÉTI SAS and cannot be communicated to third parties or reproduced without prior written permission



TECHNICAL SPECIFICATIONS

- Frequency Range : 1000 - 2000 MHz
- Coupling value (loss excluded) : 3 dB ± 0.5 dB
- Insertion loss : 0.5 dB max.
- Amplitude balance : ± 0.5 dB max.
- Phase Balance : ± 5 ° max.
- VSWR : 1.25 :1 max.
- Isolation : 20 dB min.
- Power Handling : 400 W CW
1.6 kW peak 25% DC @ 1 kHz PRF
- Operating Temperature : -10 °C to +50 °C
- Storage Temperature : -10 °C to +50 °C
- Humidity : 55 to 95% RH @ 40°C
- In/out Connectors : N Female

| | | | | | | | | | | |
|------------------------------------|--|--|-----------|--|-------------|--|---------------------------|--|----------------------------------|--|
| Last rev. additional information : | | | | | | | Material : Aluminium 6082 | | Titre : Coupleur Hybride 3dB 90° | |
| | | | | | | | Treatment : Silver plated | | Title : 90° 3dB Hybrid Coupler | |
| | | | | | | | Finish : Black painted | | Comment : CH-90-1000-2000-400-NF | |
| | | | | | | | Gen. Tol. : ISO 2768 - mK | | Document Number : 800173 1601A | |
| | | | | | | | Orientation : | | Drawn : wkherraz | |
| A Création du document | | | W.Kherraz | | 04/10/19 | | A. Le Gouellec | | 08/10/19 | |
| S. Mellaza | | | 08/10/19 | | Scale : 2:1 | | Sheet : 1 / 1 | | Date : 04/10/2019 | |
| Rev. | | | Change | | Drawn | | Date | | Date | |

