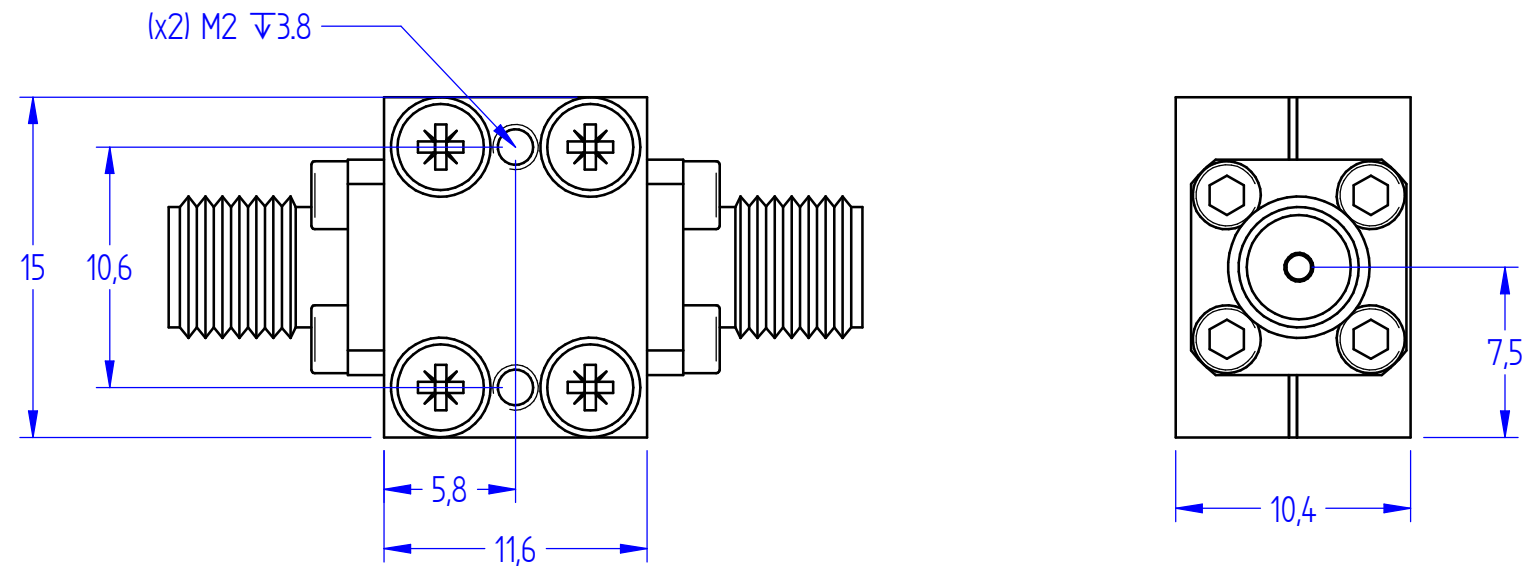
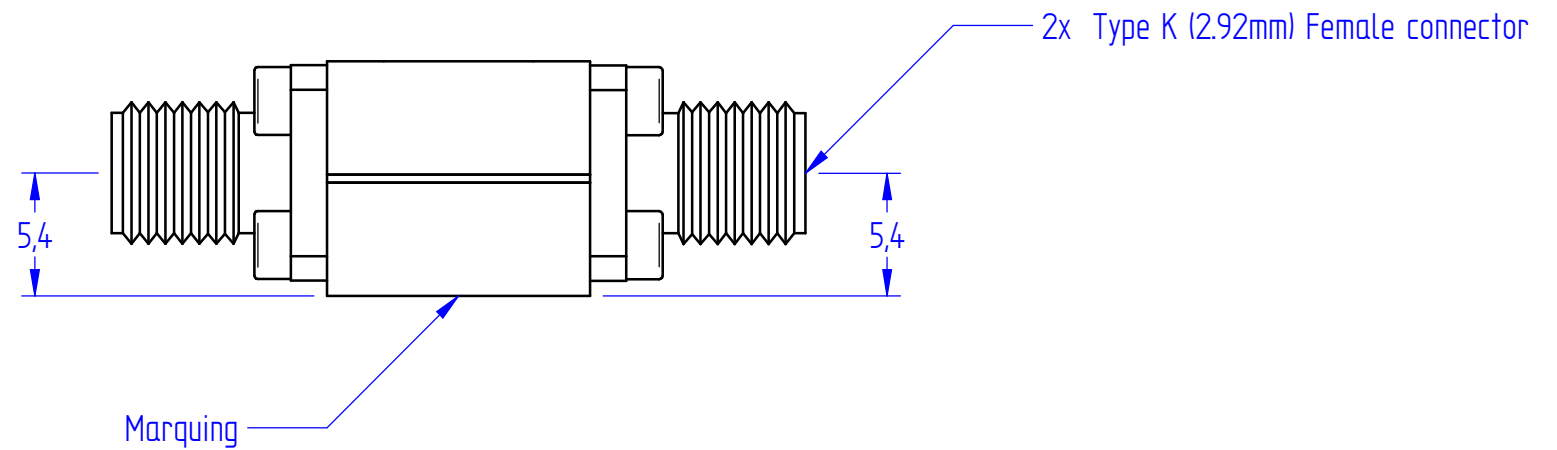
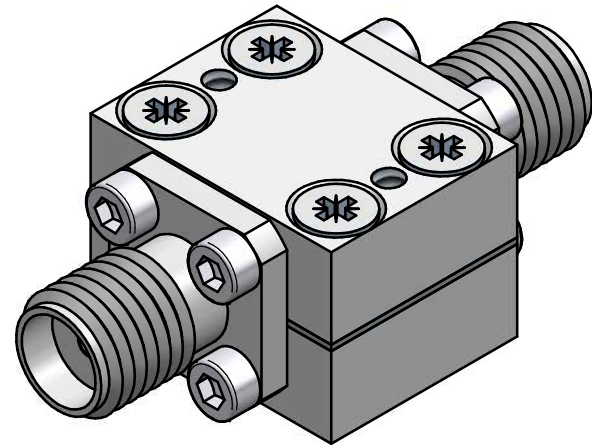


This document is subject to change without notice  
This document is the exclusive property of DETI SAS and cannot be communicated to third parties or reproduced without prior written permission



### TECHNICAL SPECIFICATIONS

<b>Frequency Range :</b>	<b>20000 - 40000 MHz</b>
<b>Insertion Loss :</b>	<b>&lt; 1.0 dB</b>
<b>Return Loss :</b>	<b>&lt; -10 dB</b>
<b>Rejections :</b>	<b>&lt; -50 dB @15000 MHz</b>
<b>Max. input Power :</b>	<b>2 W CW</b>
<b>Operating Temperature :</b>	<b>-40°C to +70°C</b>
<b>Storage Temperature :</b>	<b>-55°C to +85°C</b>
<b>Input Connector :</b>	<b>K (2.92 mm) Female</b>
<b>Output Connector :</b>	<b>K (2.92 mm) Female</b>

Last rev. additional information :							Material : Aluminum		Titre : Filtre Passe-Haut 20 - 40 GHz	
							Treatment : Silver plated		Title : High Pass Filter 20 - 40 GHz	
							Finish : -		Comment : HPF-SS-15000-50-20000-40000-KF-KF	
							Gen. Tol. : ISO2768 - mK		Document Number : 800194 1501A	
							Orientation :		Date : 2019/12/17	
-	Preliminary	S. Mellaza	17/12/19	A. Le Gouellec	18/12/19	S. Mellaza	18/12/19	Size : A3	Classif. : 2	Drawn : smellaza
Rev.	Change	Drawn	Date	Check	Date	Approb.	Date	Scale : 3:1	Sheet : 1 / 1	

