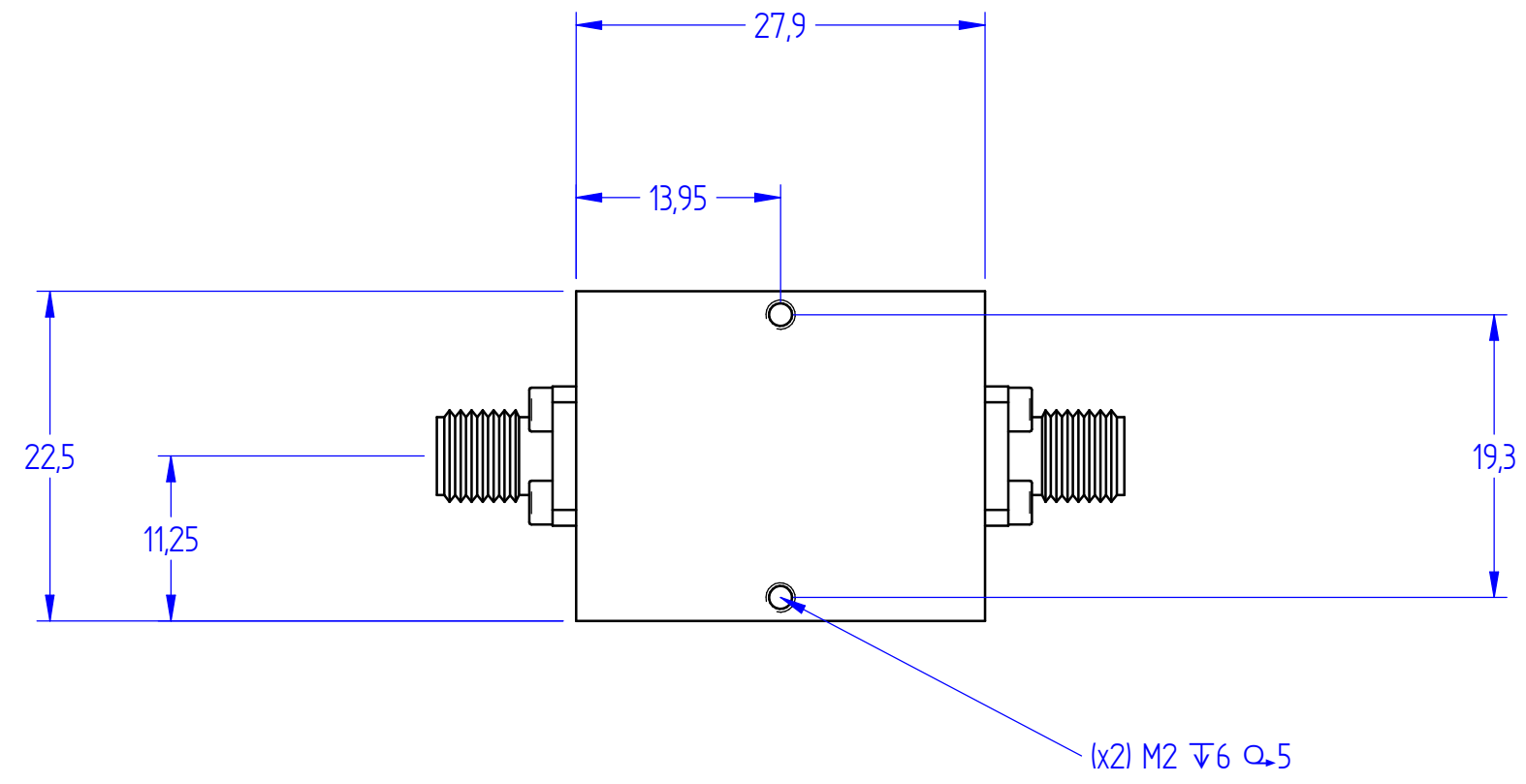
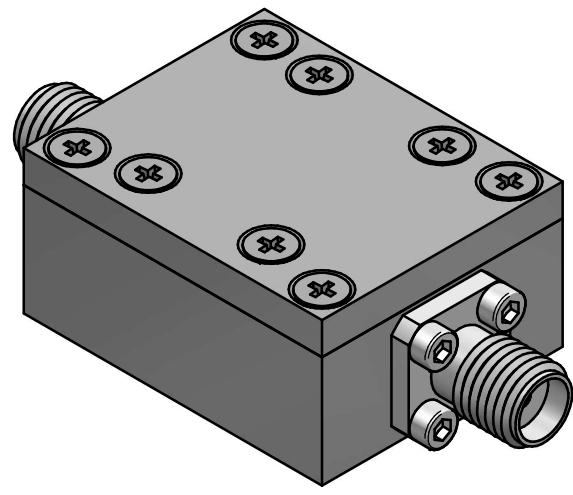


This document is subject to change without notice
This document is the exclusive property of DÉTI SAS and cannot be communicated to third parties or reproduced without prior written permission



SPECIFICATIONS

- Frequency Range :** 0.5- 18 GHz
- Insertion Loss :** 3 dB Typ. @500 MHz
< 1 dB from 700 to 15000 MHz
< 1.4 dB from 15000 to 18000 MHz
- VSWR :** 2.0 : 1 max.
- Rejection :** > 40 dB from DC to 410 MHz
- Power Handling :** 2 W
- Operating Temperature :** -55 to 85°C

Last rev. additional information :							Material : Aluminium		Titre : Filtre Passe Haut	
							Treatment : Surtec 650		Title : High Pass Filter	
							Finish : -		Comment : HPF-LP-410-40-500-18000-SF-SF	
							Gen. Tol. : ISO 2768 - mK		Document Number : 800192 1501A	
							Orientation :		Drawn : alegouellec	
A	Creation	A. Le Gouellec	23/12/19	S. Mellaza	24/12/19	S. Mellaza	24/12/19	Size : A3	Classif. : 2	Date : 23/12/2019
Rev.	Change	Drawn	Date	Check	Date	Approb.	Date	Scale : 2:1	Sheet : 1 / 1	

