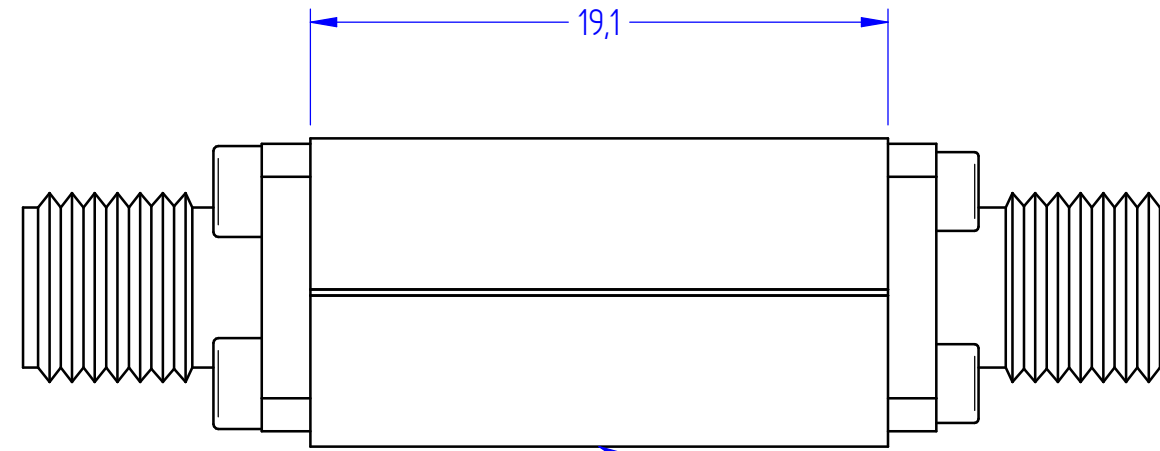
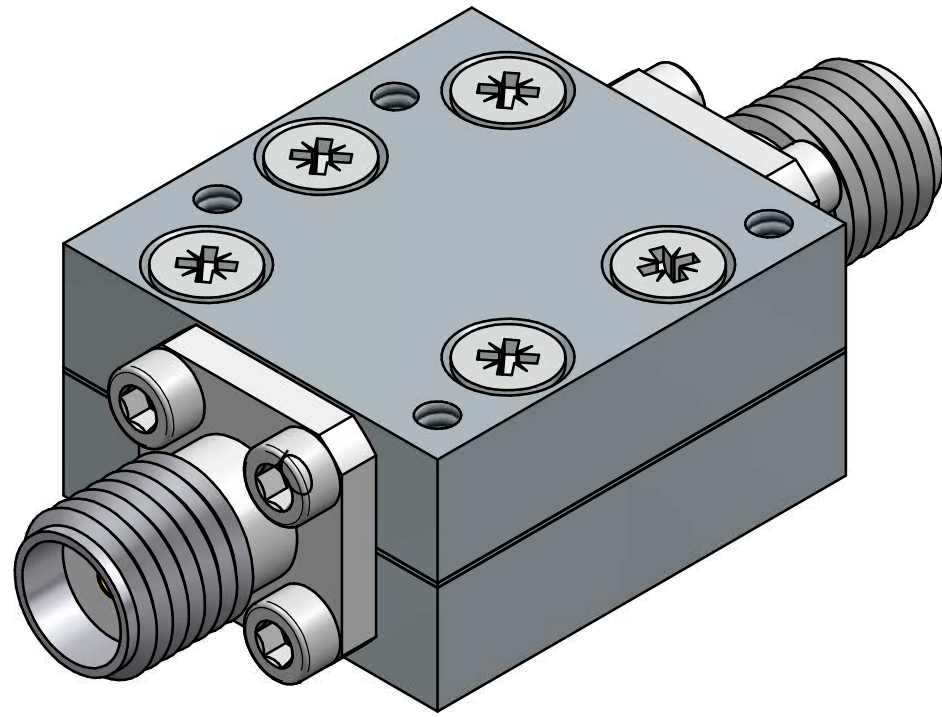
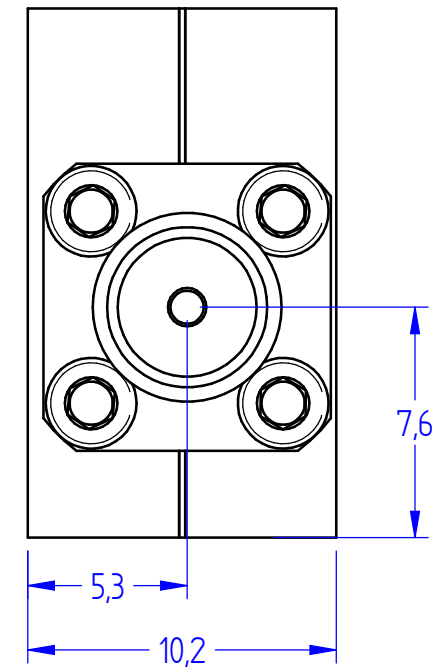
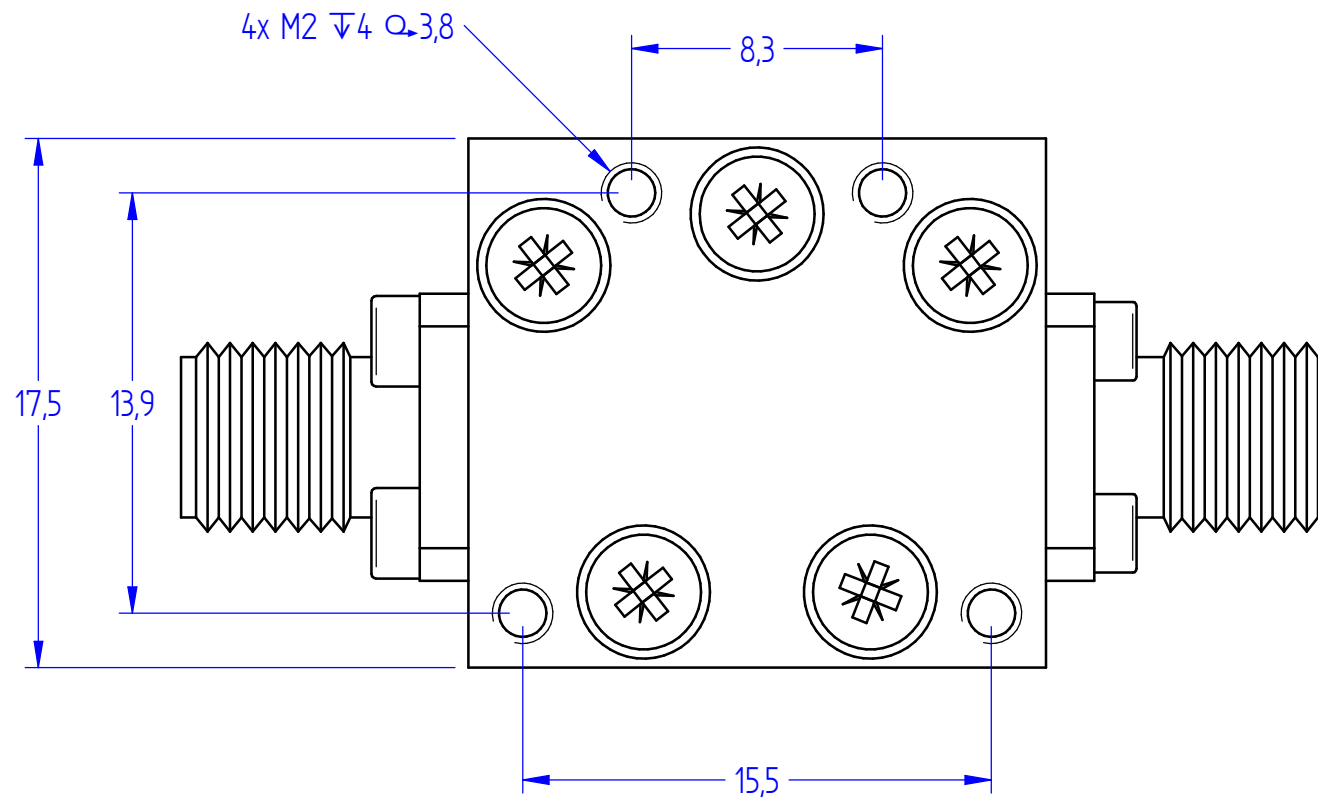


This document is subject to change without notice  
This document is the exclusive property of DÉTI SAS and cannot be communicated to third parties or reproduced without prior written permission



Marking

4x M2  $\nabla$ 4  $\varnothing$ 3,8



### TECHNICAL SPECIFICATIONS

- Frequency Range :** 5500 - 18000 MHz
- 3dB cut off :** 5000 MHz typ.
- Insertion Loss :** 1.0 dB max. @5500 - 18000 MHz
- VSWR :** 2.0 :1 max.
- Shape Factor (3dB-30dB) :** 1.15
- Rejection :** 30 dB min. @ 4350 MHz
- Power Handling :** 2 W CW
- Operating Temperature :** -40 °C to +85 °C
- Storage Temperature :** -55 °C to +125°C
- Input Connector :** SMA Female
- Output Connector :** SMA Female

Last rev. additional information :							Material : Aluminum		Titre : Filtre passe-haut 5,5-18 GHz				
							Treatment : Silver plated		Title : 5.5-18GHz High Pass Filter				
							Finish : -		Comment : HPF-SS-5500-18000-1.15-SF-SF				
							Gen. Tol. : ISO 2768 - mK		Document Number : 800021 1501A				
							Orientation :		Drawn : wkherraz				
A			Création du document		W.Kherraz	24/11/2020	S. Mellaza	25/11/2020	S. Mellaza	25/11/2020	Scale : 4:1	Sheet : 1 / 1	Date : 25/11/2020
Rev.	Change	Drawn	Date	Check	Date	Approb.	Date	Size : A3	Classif. : 2	Document Number :	800021 1501A	Date :	25/11/2020



www.deti-sa.com