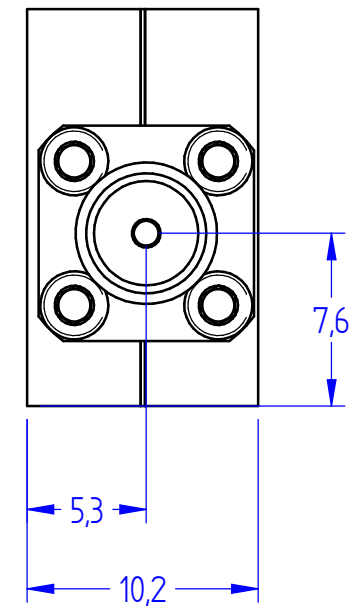
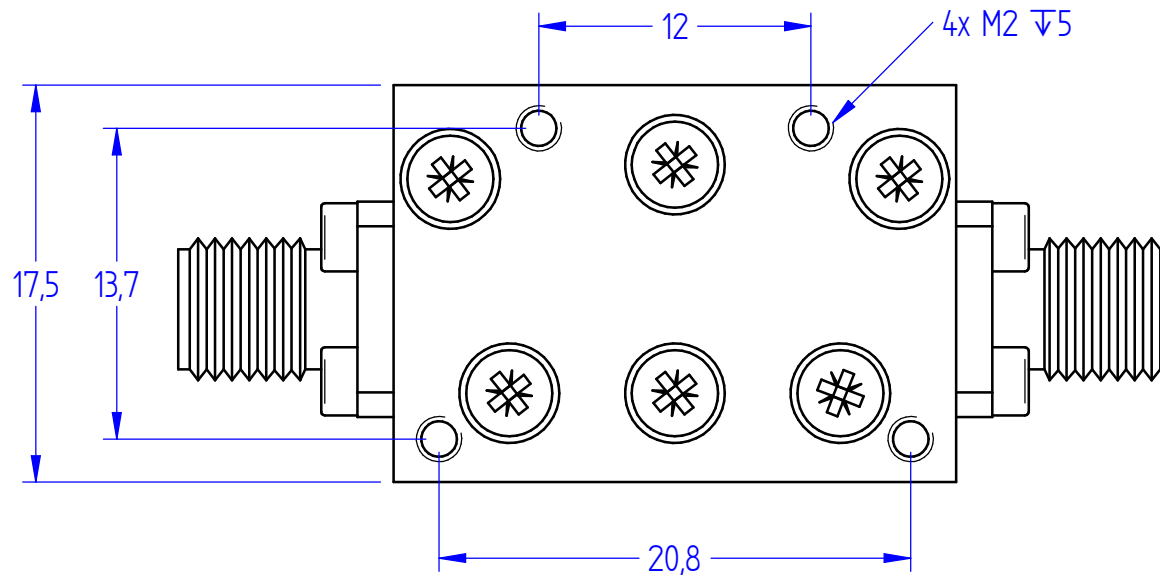
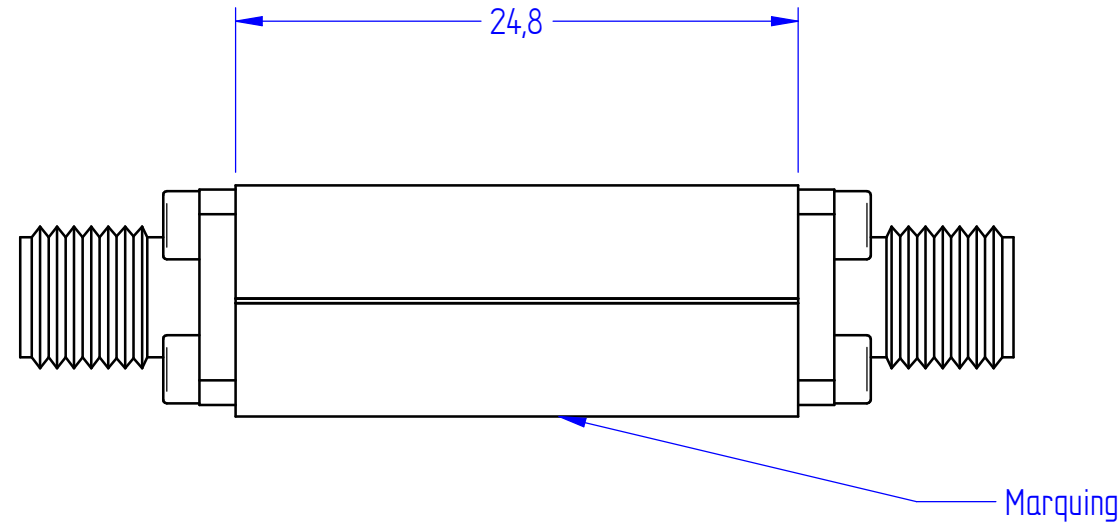
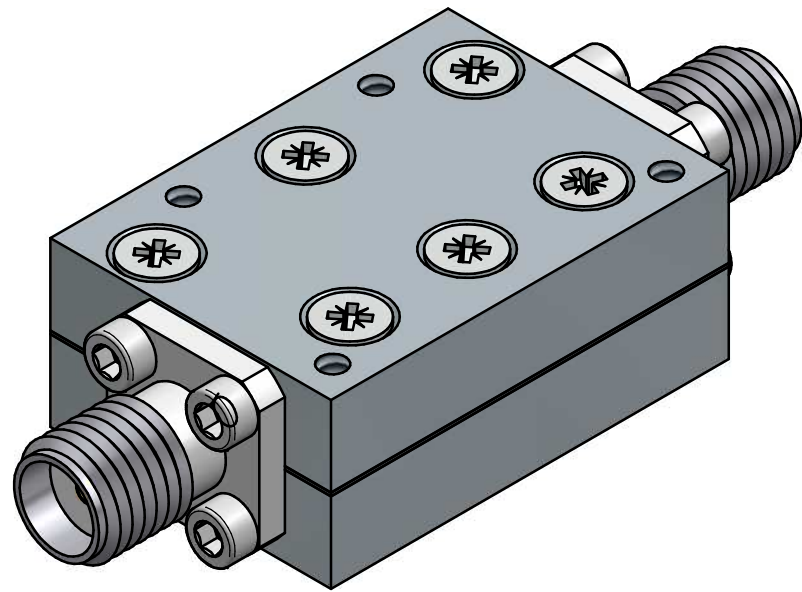


This document is subject to change without notice
This document is the exclusive property of DÉTI SAS and cannot be communicated to third parties or reproduced without prior written permission



TECHNICAL SPECIFICATIONS

- Frequency Range :** 3080 - 18000 MHz
- 3dB cut off :** 2800 MHz typ.
- Insertion Loss :** 1.0 dB max. @ 3080 - 18000 MHz
- VSWR :** 2.0 :1 max.
- Rejection :** 30 dB min. @ 2430 MHz
- Power Handling :** 2 W CW
- Operating Temperature :** -40 °C to +85 °C
- Storage Temperature :** -55 °C to +125°C
- Input Connector :** SMA Female
- Output Connector :** SMA Female

Last rev. additional information :							Material : Aluminum		Titre : HPF-SS-2430-3080-18000-SF-SF	
							Treatment : Silver plated		Title :	
							Finish : -		Comment : -	
							Gen. Tol. : ISO 2768 - mK		Document Number : HPF-SS-2430-3080-18000-SF-SF	
							Orientation :		Drawn : wkherraz	
A	Création du document	W.Kherraz	26/03/20	S. Mellaza	27/03/20	S. Mellaza	27/03/20	Size : A3	Classif. : 2	Date : 26/03/2020
Rev.	Change	Drawn	Date	Check	Date	Approb.	Date	Scale : 3:1	Sheet : 1 / 1	

