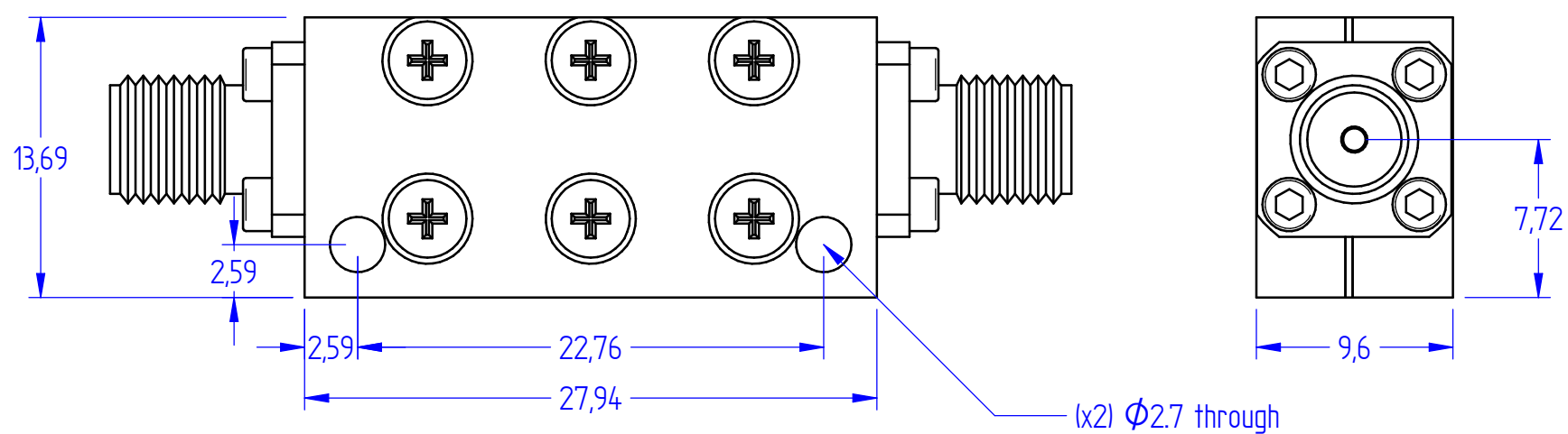
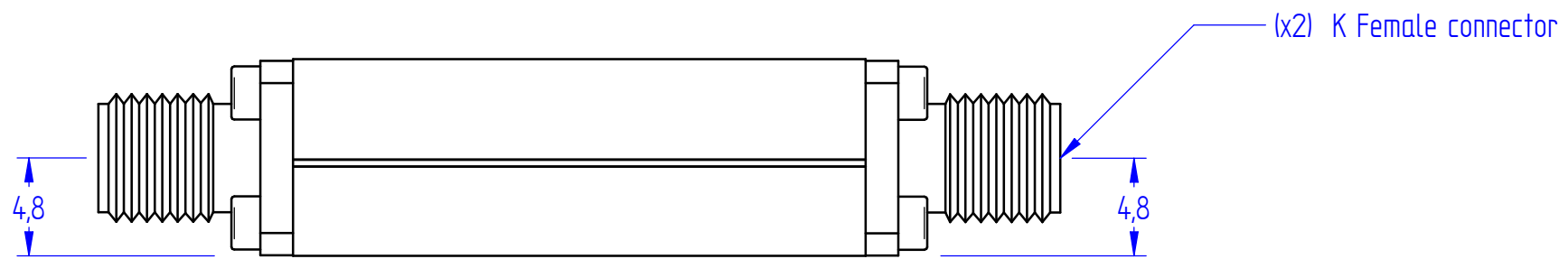
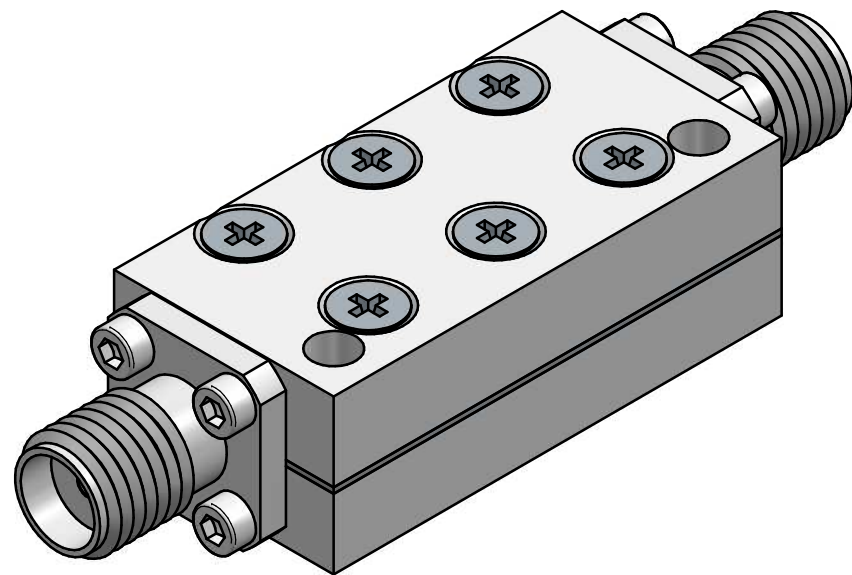


This document is subject to change without notice  
This document is the exclusive property of DÉTI SAS and cannot be communicated to third parties or reproduced without prior written permission



### TECHNICAL SPECIFICATIONS

<b>Frequency Range :</b>	<b>18000 - 40000 MHz</b>
<b>Insertion Loss :</b>	<b>&lt; 1.5 dB ( &lt; 1 dB typ.)</b>
<b>Ripple :</b>	<b>± 0.6 dB</b>
<b>Return Loss :</b>	<b>&lt; -10 dB</b>
<b>Rejection :</b>	<b>&lt; -60 dB DC-16000 MHz</b>
<b>Max. input Power :</b>	<b>2 W CW</b>
<b>Operating Temperature :</b>	<b>-40°C to +85°C</b>
<b>Storage Temperature :</b>	<b>-55°C to +125°C</b>
<b>Input Connector :</b>	<b>K (2.92 mm) Female</b>
<b>Output Connector :</b>	<b>K (2.92 mm) Female</b>

Last rev. additional information :							Material : Aluminum		Titre : Filtre Passe-Haut 18 - 40 GHz	
							Treatment : Silver plated		Title : High Pass Filter 18 - 40 GHz	
							Finish : Matt black paint		Comment : HPF-SS-16000-60-18000-40000-KF-KF	
							Gen. Tol. : ISO2768 - mK		Document Number : HPF-SS16000-60-18000-40000-KF-KF	
							Orientation :		Drawn : smellaza	
							Size : A3		Date : 2019/12/17	
							Classif. : 2		Sheet : 1 / 1	
							Scale : 3:1			
Rev.	Change	Drawn	Date	Check	Date	Approb.	Date			
-	Preliminary / modification outline	S. Mellaza	15/06/20							

