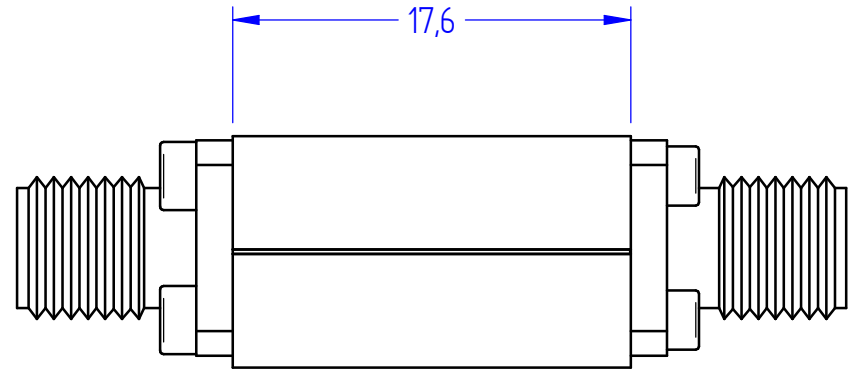
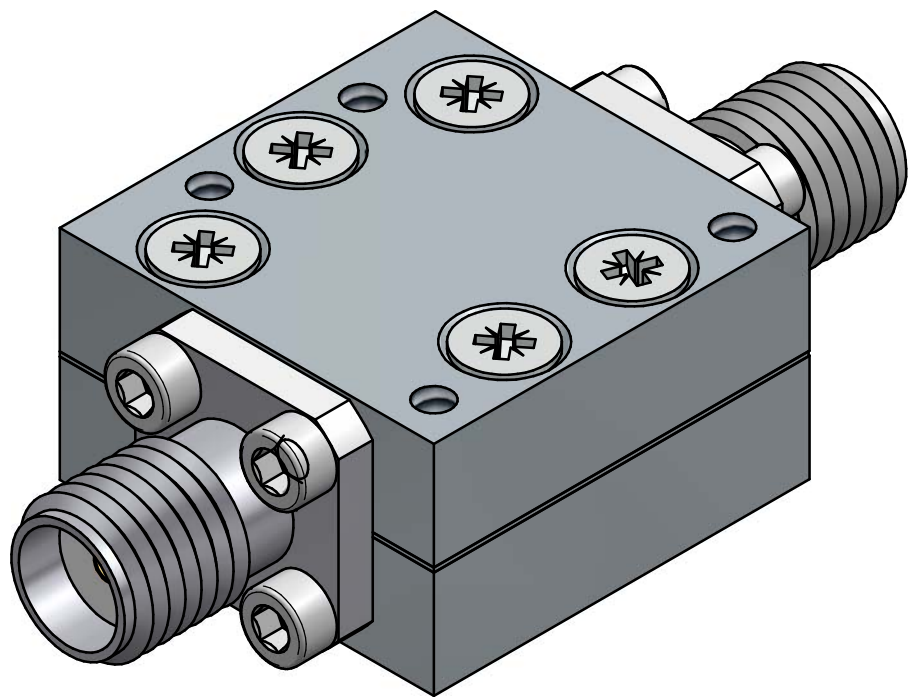
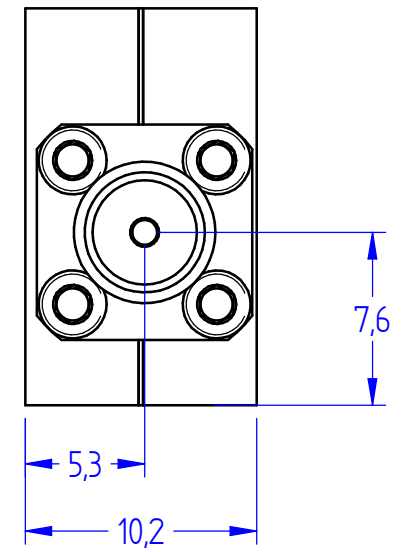
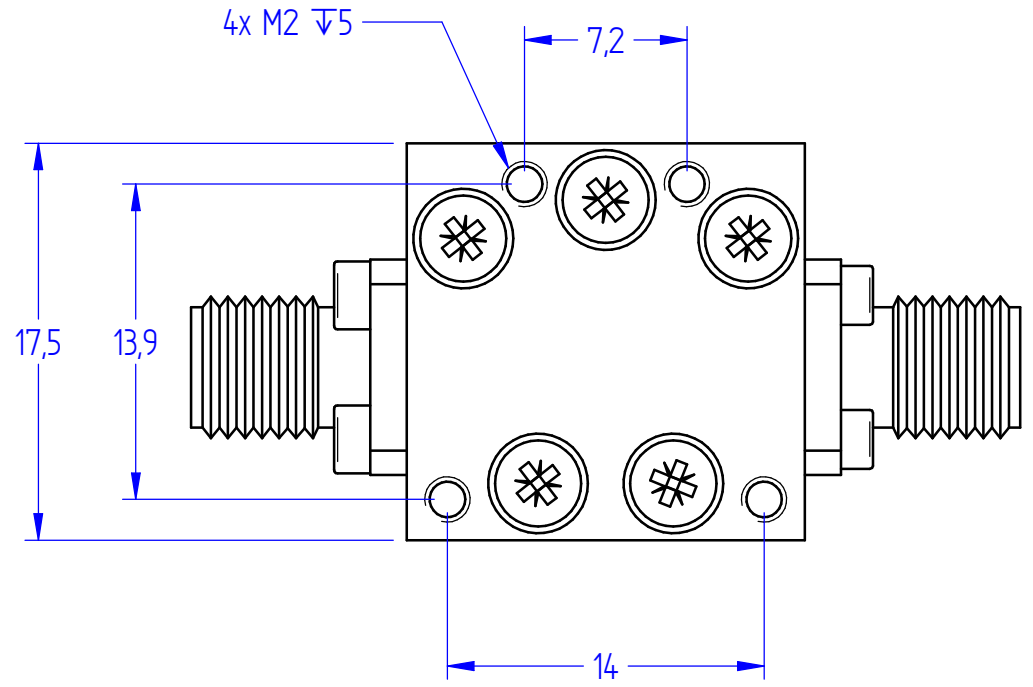


This document is subject to change without notice
This document is the exclusive property of DÉTI SAS and cannot be communicated to third parties or reproduced without prior written permission



TECHNICAL SPECIFICATIONS

- Frequency Range :** 6600 - 18000 MHz
- 3dB cut off :** 6000 MHz typ.
- Insertion Loss :** 1.0 dB max. @6600 - 18000 MHz
- VSWR :** 2.0 :1 max.
- Shape Factor (3dB-30dB) :** 1.15
- Rejection :** 30 dB min. @ 5220 MHz
- Power Handling :** 2 W CW
- Operating Temperature :** -40 °C to +85 °C
- Storage Temperature :** -55 °C to +125°C
- Input Connector :** SMA Female
- Output Connector :** SMA Female



Last rev. additional information :							Material : Aluminum		Titre : Filtre passe-haut 6.6-18 GHz	
							Treatment : Silver plated			
							Finish : -		Comment : HPF-SS-6600-18000-1.15-SF-SF	
							Gen. Tol. : ISO 2768 - mK			
							Orientation :		Drawn : wkherraz	
							Size : A3			
							Classif. : 2		www.deti-sa.com	
							Scale : 3:1			
							Sheet : 1 / 1		Date : 04/03/2021	
Rev.	Change	Drawn	Date	Check	Date	Approb.	Date			
-	Preliminary	W.Kherraz	04/03/2021	S. Mellaza	04/03/2021					

