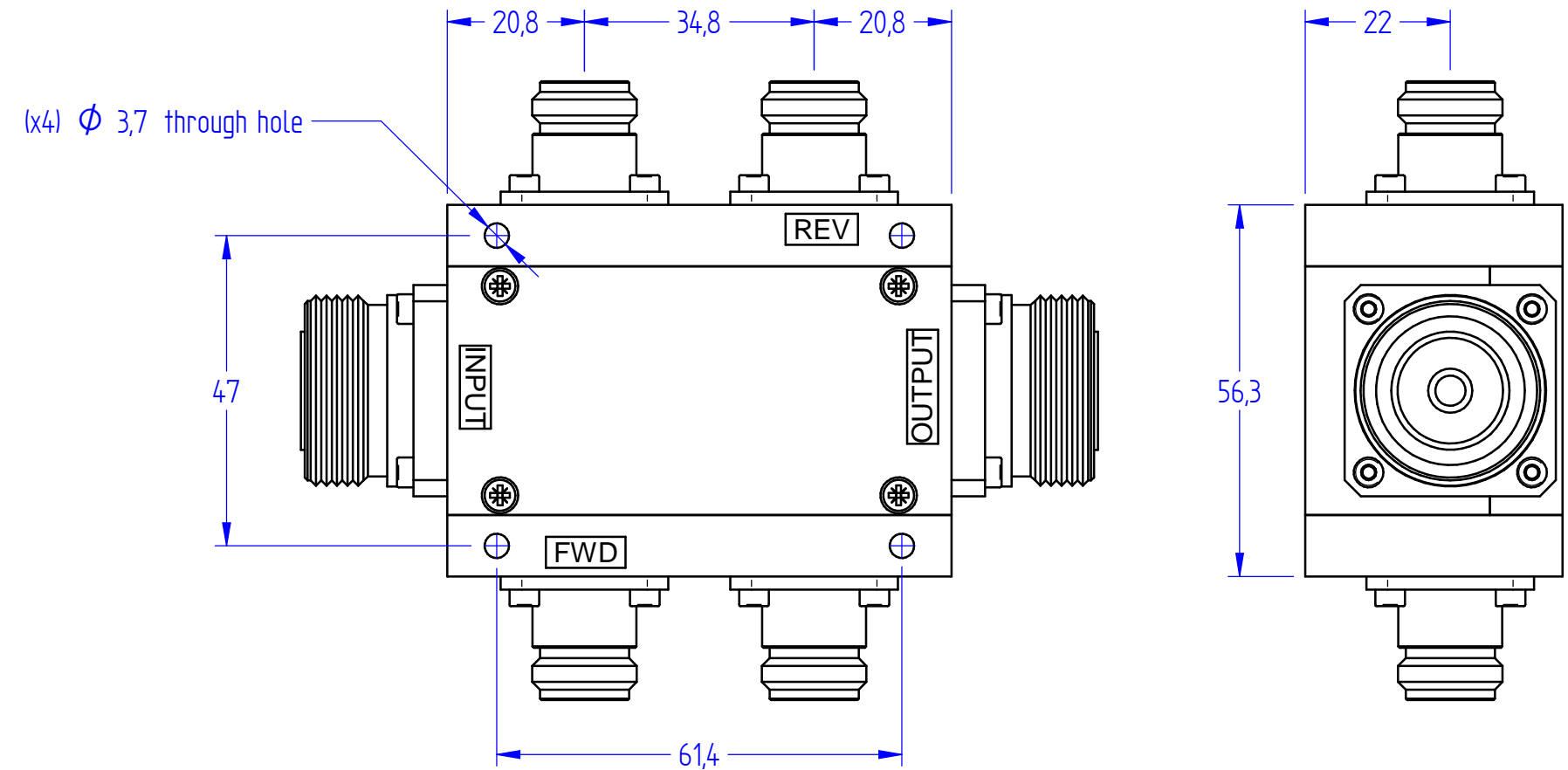
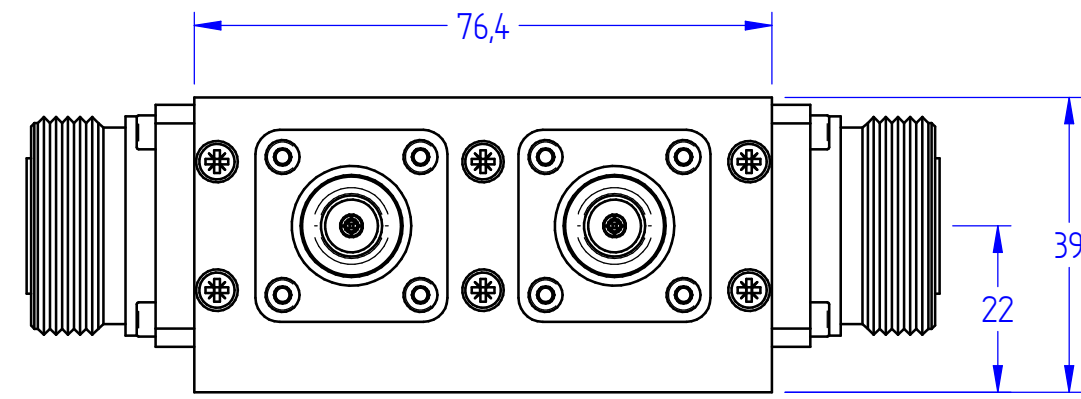
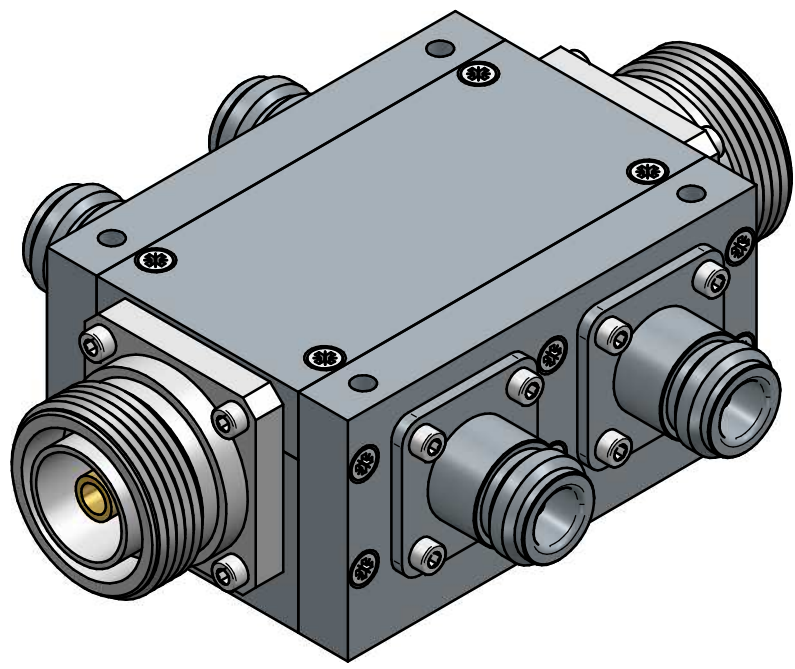


This document is subject to change without notice. This document is the exclusive property of DÉTI SAS and cannot be communicated to third parties or reproduced without prior written permission.



TECHNICAL SPECIFICATIONS

Frequency Range :	2000 - 6000 MHz
Coupling :	50 ± 1 dB max.
Flatness :	± 1 dB max.
Insertion Loss :	0.1 dB max.
VSWR :	1.3 :1 max.
Directivity :	20 dB min.
Power Handling :	1000 W CW
Operating Temperature :	-40 °C to +55 °C
Storage Temperature :	-55 °C to +125°C
Altitude :	4000 m above sea level
Input Connector :	7/16 DIN Female
Output Connector :	7/16 DIN Female
Coupling port :	N-type Female

Last rev. additional information :							Material : Aluminum		Titre : Coupleur dual directif 2 - 6 GHz 1000 W	
							Treatment : Surtec 650		Titre : Dual directional coupler 2 - 6 GHz 1000 W	
							Finish : /		Comment : CD-2-2000-6000-50-50-1000-716F--716F-NF	
							Gen. Tol. : ISO 2768 - mK		Document Number : 800210 1501A	
							Orientation :		Drawn : smellaza	
							Size : A3		Date : 13/05/2020	
							Classif. : 2			
							Scale : 1:1			
							Sheet : 1 / 1			
Rev.	Change	Drawn	Date	Check	Date	Approb.	Date			
-	Preliminary	S. Mellaza	15/05/2020							

