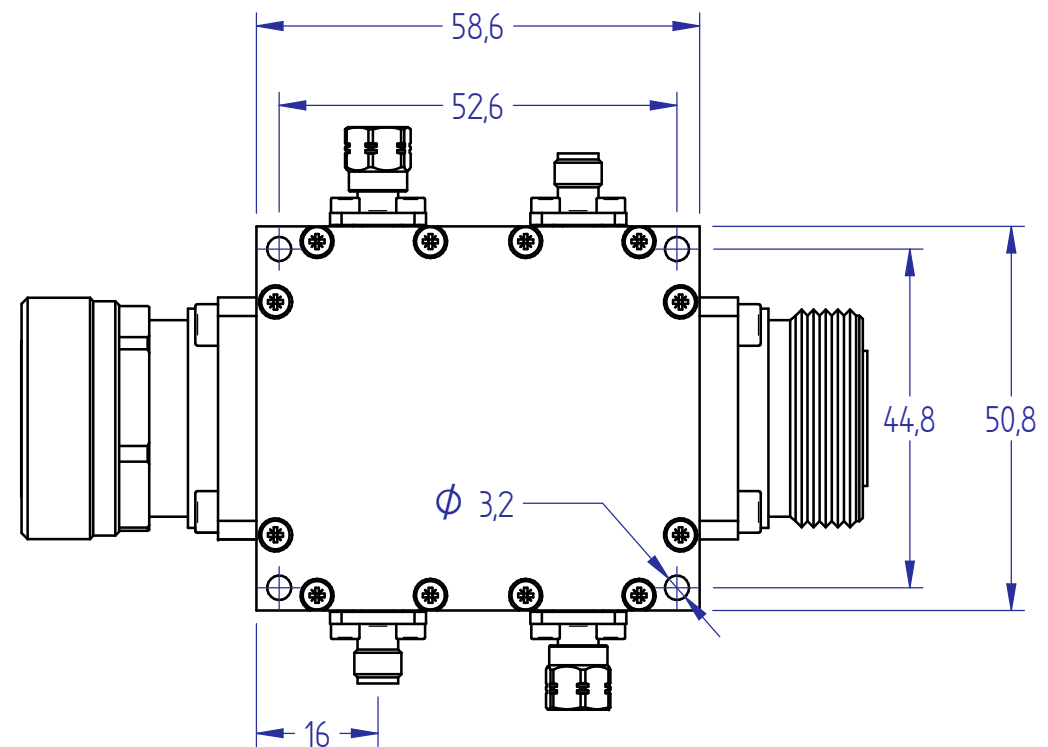
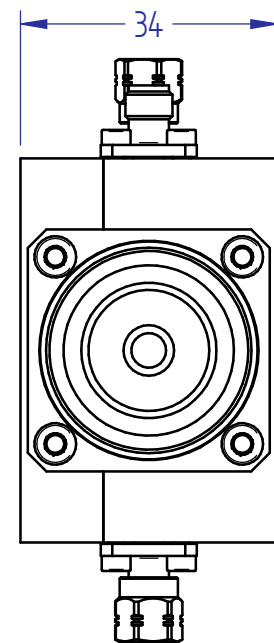
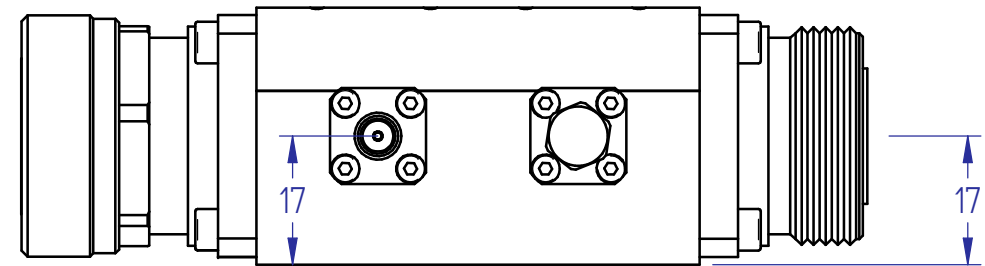
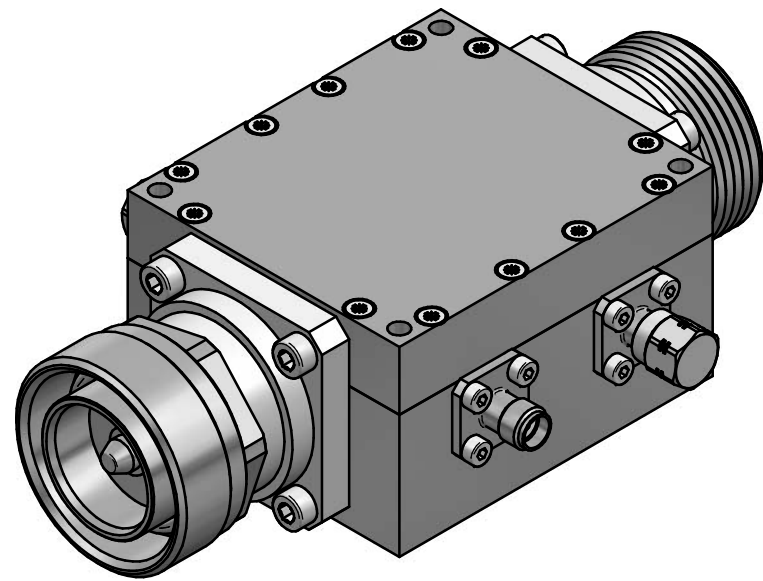


This document is subject to change without notice
This document is the exclusive property of DÉTI SAS and cannot be communicated to third parties or reproduced without prior written permission



SPECIFICATIONS

- Frequency Range :** 2.0 - 4.0 GHz
- Coupling :** 30 dB ± 1 dB
- Coupling flatness** ± 1 dB
- Minimum Directivity :** 20 dB
- Maximum Insertion Loss :** 0.2 dB
- Maximum VSWR :** 1.4 : 1
- Power Handling :** 500 W CW
10 kW peak
- Connectors :** Main line input 7/16 Male
Main line output 7/16 Female
Coupling line SMA Female
- Operating Temperature :** -40 to +85°C
- Storage Temperature :** -55 to +125°C

							Material : Aluminum	Titre : DUAL DIRECTIONAL COUPLER	
							Treatment : Surtec	Title : 2-4 GHz	
							Finish : -	Comment : CD-2-2000-4000-30-30-500-716F-716F-SF	
							Gen. Tol. : ISO 2768-mK	Document Number : 800046 0B 1601A	
							Orientation :	Date : 11/06/2021	
A	Création du document	A. Le Gouellec	11/06/2021	W.Kherraz	11/06/2021	S. Mellaza	11/06/2021	Size : A3	Classif. : 2
Rev.	Change	Drawn	Date	Check	Date	Approb.	Date	Scale : 1:1	Sheet : 1 / 1
							Drawn : alegouellec		

