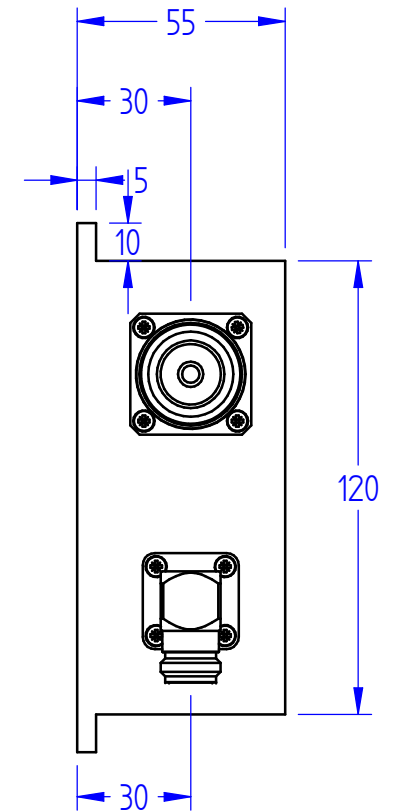
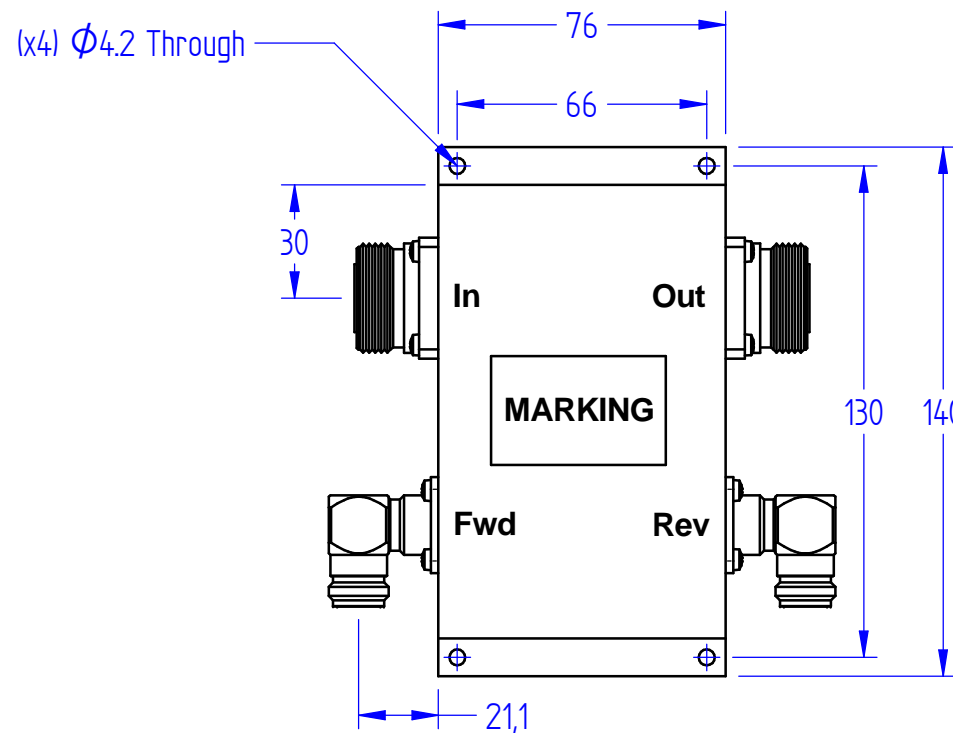
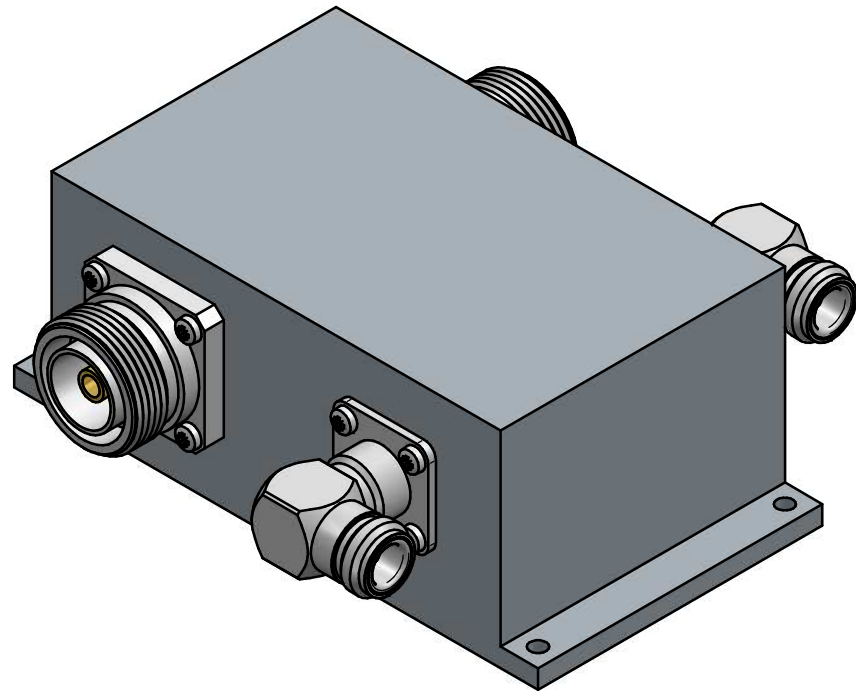


This document is subject to change without notice
This document is the exclusive property of DÉTI SAS and cannot be communicated to third parties or reproduced without prior written permission



TECHNICAL SPECIFICATIONS

- Frequency Range :** 1 - 30 MHz
- Insertion Loss :** ≤ 0.1 dB
- VSWR :** ≤ 1.30 :1
- Coupling :** 50 dB ± 1 dB
- Flatness :** ± 0.5 dB
- Directivity :** > 20 dB
- Power Handling :** 6000 W CW
- Operating Temperature :** -40 °C to +40 °C
- Storage Temperature :** -55 °C to +85 °C
- Main line Connectors :** 7-16 DIN Female
- Coupling line Connectors :** N-type Female

Last rev. additional information :							Material : Aluim		Titre : Coupleur dual directif 1-30 MHz	
							Treatment : Surtec 650		Title : Dual directional coupler 1-30 MHz	
							Finish : -		Comment : CD-2-1-30-50-50-6000-716F-716F-NF	
							Gen. Tol. : ISO 2768 - mK		Document Number : CD-2-1-30-50-50-6000-716F-716F-NF	
							Orientation :		Drawn : smellaza	
							Size : A3		Date : 01/12/2020	
							Classif. : 2			
							Scale : 1:2			
							Sheet : 1 / 1			
Rev.	Change	Drawn	Date	Check	Date	Approb.	Date			
-	Preliminary	S. Mellaza	01/12/2020	A. Le Gouellec	02/12/2020					

