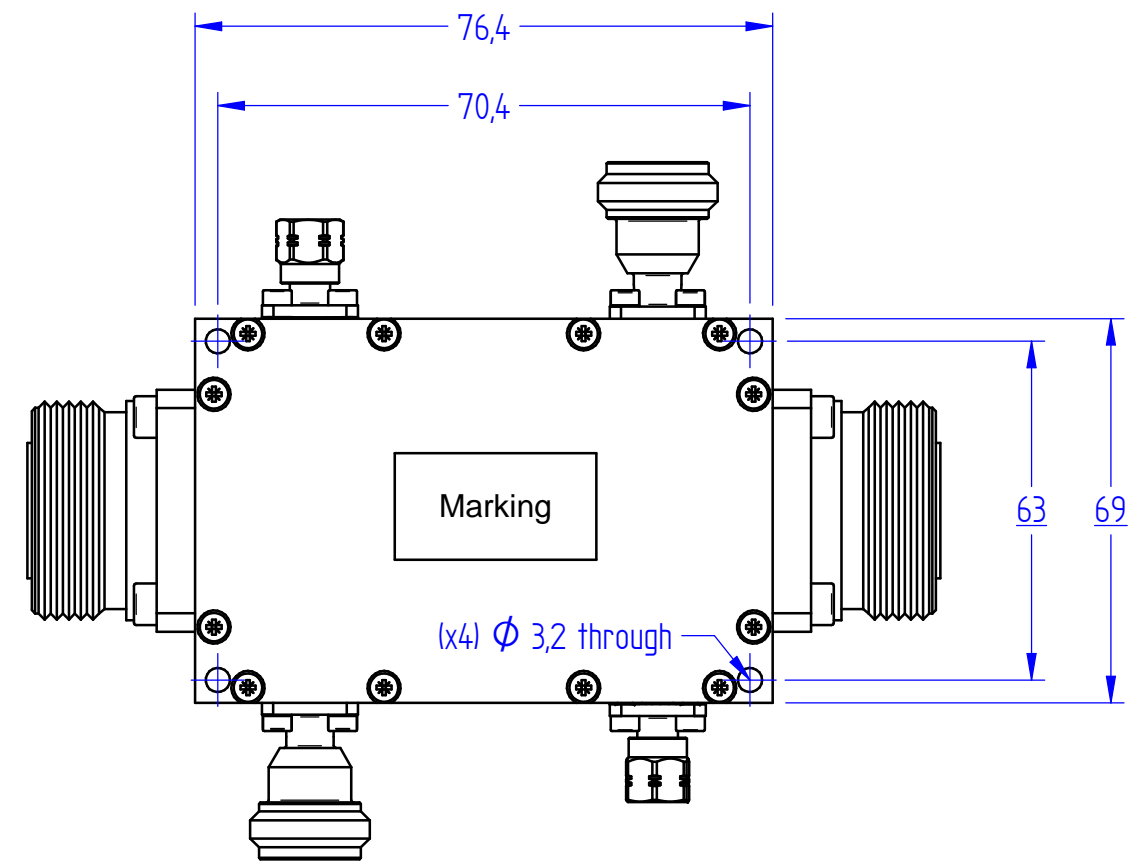
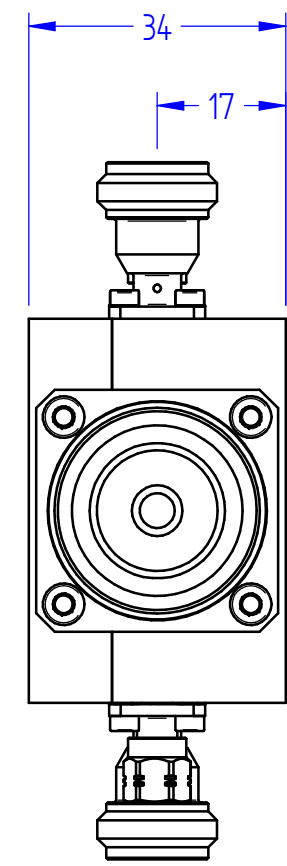
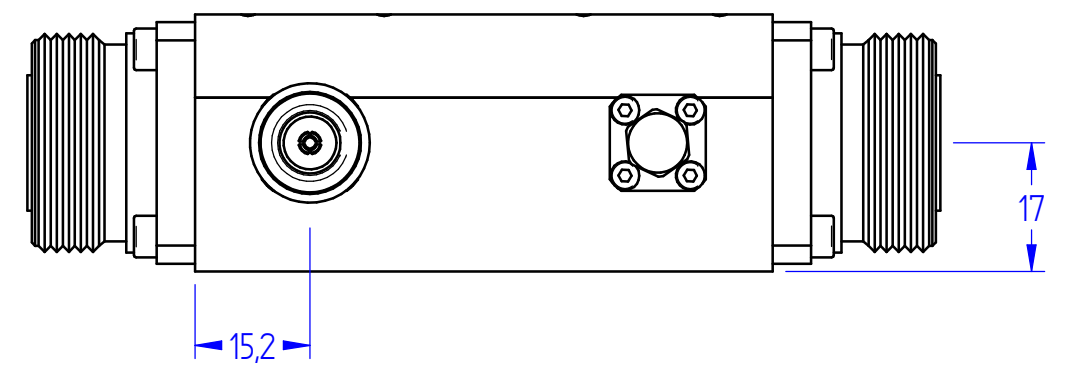
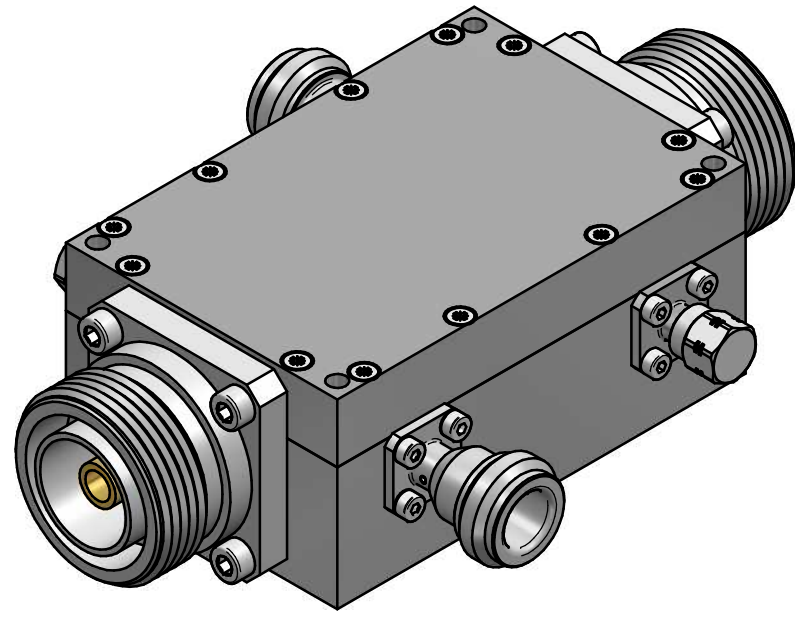




This document is subject to change without notice
This document is the exclusive property of DÉTI SAS and cannot be communicated to third parties or reproduced without prior written permission



TECHNICAL SPECIFICATIONS

| | |
|--------------------------------|--|
| Frequency Range : | 1200 - 1400 MHz |
| Insertion Loss : | 0.15 dB max. |
| Forward Coupling : | 50 ± 1 dB |
| Reverse coupling : | 50 ± 1 dB |
| Directivity : | 25 dB min. |
| VSWR : | 1.2 :1 max. |
| Power Handling : | 1 kW CW 10 kW peak (10% DC) |
| Operating Temperature : | -40 °C to +85 °C |
| Storage Temperature | -55 °C to +125°C |
| Mainline ports : | 7/16 Female |
| Coupling ports : | N Type Female |

| | | | | | | | | | | | |
|------------------------------------|--------|-------|------|-------|------|---------|---|-------------|--|-------------------|---|
| Last rev. additional information : | | | | | | | Material : Aluminum | | Titre : Coupleur dual directif 1.2 - 1.4 GHz | |  |
| | | | | | | | Treatment : Surtec 650 | | Titre : Dual directional coupler 1.2 - 1.4 GHz | | |
| | | | | | | | Finish : Black painted | | Comment : CD-2-1200-1400-50-50-1000-716F-716F-NF | | |
| | | | | | | | Gen. Tol. : ISO 2768 - mK | | Document Number : CD-2-1200-1400-50-50-1000-716F-716F-NF | | |
| | | | | | | | Orientation :  | | Drawn : smellaza | | |
| Rev. | Change | Drawn | Date | Check | Date | Approb. | Date | Scale : 1:1 | Sheet : 1 / 1 | Date : 03/07/2019 | |

