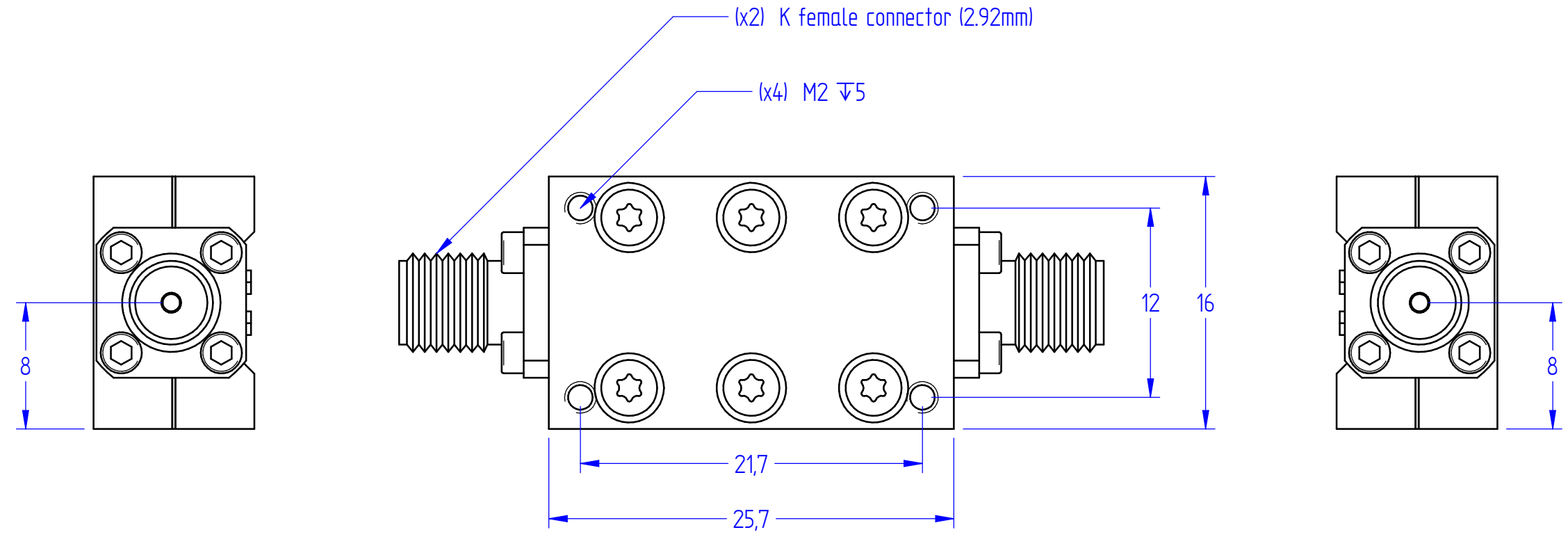
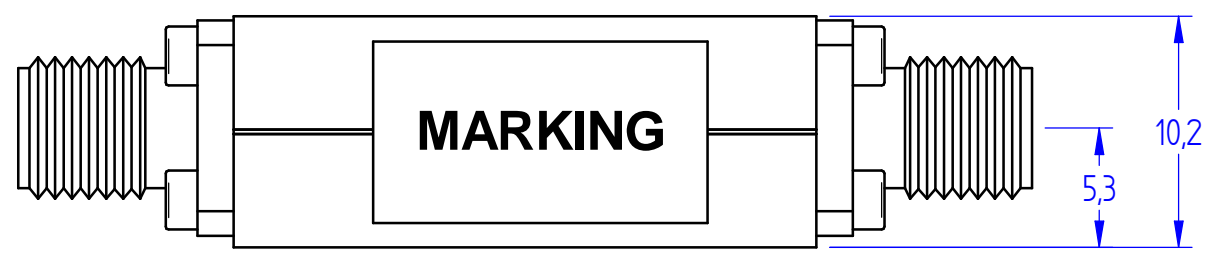
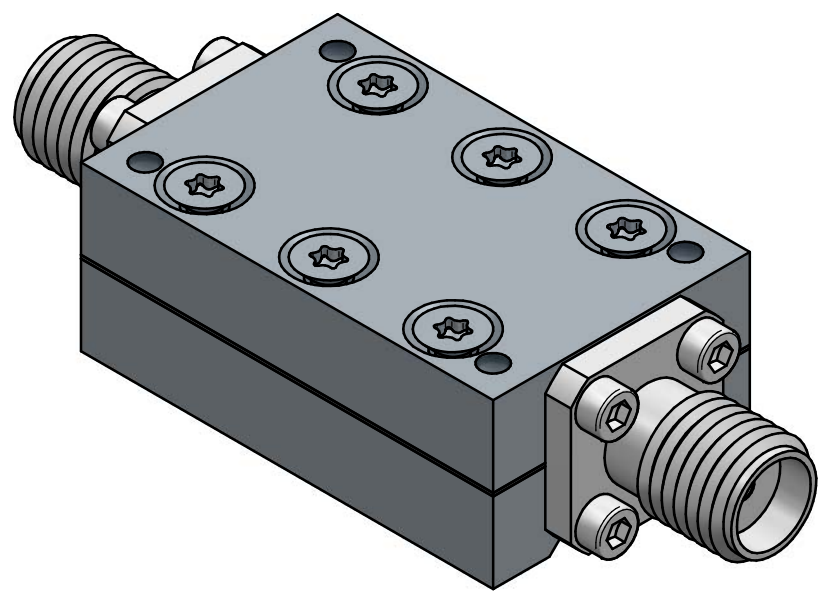


This document is subject to change without notice
This document is the exclusive property of DETI SAS and cannot be communicated to third parties or reproduced without prior written permission



Last rev. additional information :							Material : Aluminium		Titre : Filtre réjecteur 27.5 - 31 GHz	
							Treatment : Silver plated		Title : 27.5 - 31 GHz band stop filter	
							Finish : -		Comment : BSF-IP-27500-31000-40-KF-KF	
							Gen. Tol. : ISO 2768 - mK		Document Number : 800295 1601A	
							Orientation :		Drawn : smellaza	
A Création			S. Mellaza 18/10/2021		W.Kherraz 19/10/2021		Size : A3		Classif. : 2	
Rev. Change			Drawn Date		Check Date		Scale : 3:1		Sheet : 1 / 1	
							Date		Date : 18/10/2021	



BANDSTOP FILTER 27.5 - 31 GHz

RF characteristics

Frequency Range	18000 - 40000 MHz
Insertion loss	2.5 dB max.
Cut off frequency	26500 - 32000 MHz
Return loss	10 dB min.
Rejection	40 dB min. @ 27500 - 31000 MHz
Power handling	20 dBm min.

Mechanical features

Environment	Naval
Connectors In / Out	K female (2.92 mm)
Operating temperature	-40°C / +85°C
Storage temperature	-40°C / +85°C
Material / Finish	Aluminum / Silver plated
Outline	25.7 x 16 x 10.2 mm
Interface drawing	800295 1601A

Enregistrement des modifications

Rev.	Modification	Rédigé / modifié par :	Date	Vérifié par :	Date	Approuvé par :	Date
A	Création	S. MELLAZA	19/10/21				
B	Insertion loss 2dB -> 2.5dB	S. MELLAZA	06/01/22	A. LE GOUELLEC	06/01/22		