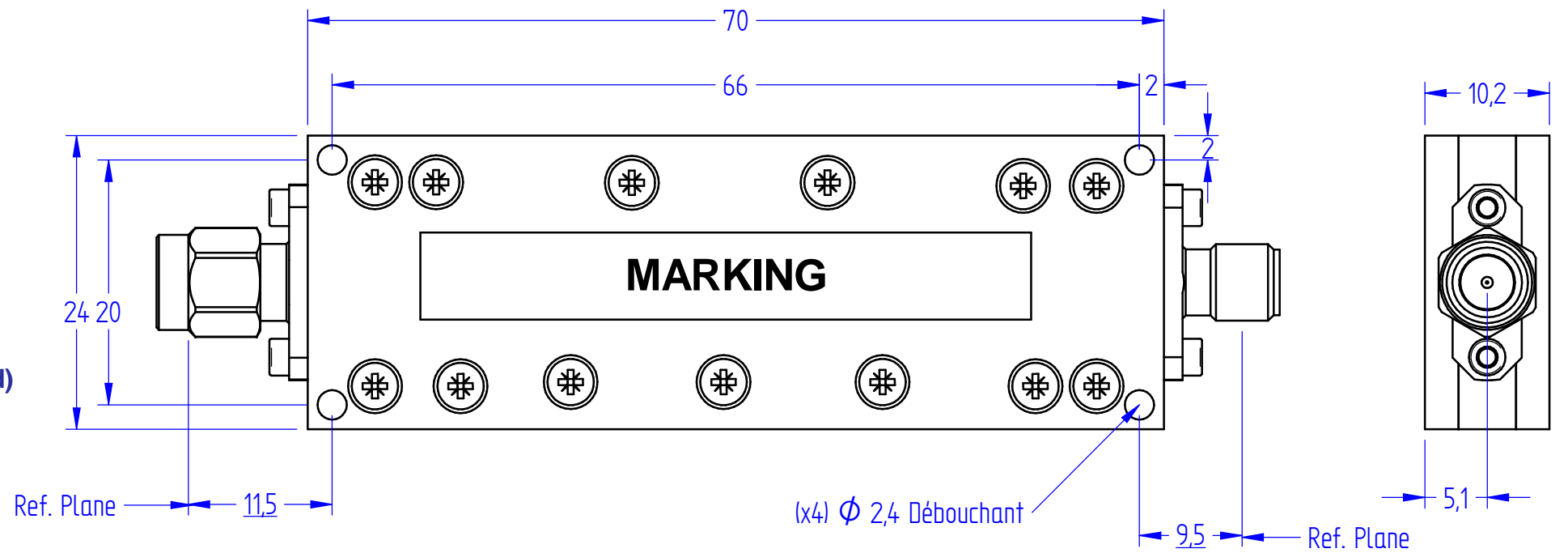


### TECHNICAL SPECIFICATIONS

Frequency Range :	7.9 - 8.4 GHz
Rejection :	> 50 dB
Passband :	DC-7.5 GHz & 8.8-20 GHz
Insertion Loss :	DC - 7.5 GHz < 1.0 dB 8.8 - 18 GHz < 1.0 dB (18 GHz included) 18 - 20 GHz < 1.5 dB
VSWR :	DC - 7.5 GHz 1.6: 1 max. 8.8 - 18 GHz 1.6: 1 max. (18 GHz included) 18 - 20 GHz 1.8: 1 max.
Power handling :	1 W average 500 W peak
Operating Temperature :	-40°C to +85°C
Storage Temperature :	-55°C to +125°C
Input Connector :	SMA male
Output Connector :	SMA Female



		Matière : Aluminum	Titre : <b>Band Stop Filter 7.9 - 8.4 GHz</b>	
		Taitement : Silver plated	BSF-CL-7900-8400-50-SM-SF	
		Classif. : 2	Document N° : 800141 0A 1601 A	
		Tolérance générale : ISO2768 - mK	Date : 25/02/19	
		Echelle : 1.5:1	Dessiné par : alegouellec	
Date	Indice	Nature de la modification	Niv. Sup.	Feuille : 1 / 1
7, rue de Kérélie - 29200 BREST - TEL : 02.98.47.90.57 - FAX : 02.98.03.75.04 - E-mail : contact@deti-sa.com - Web : www.deti-sa.com				

This document is subject to change without notice  
This document is the exclusive property of DETI SAS and cannot be communicated to third parties or reproduced without prior written permission

