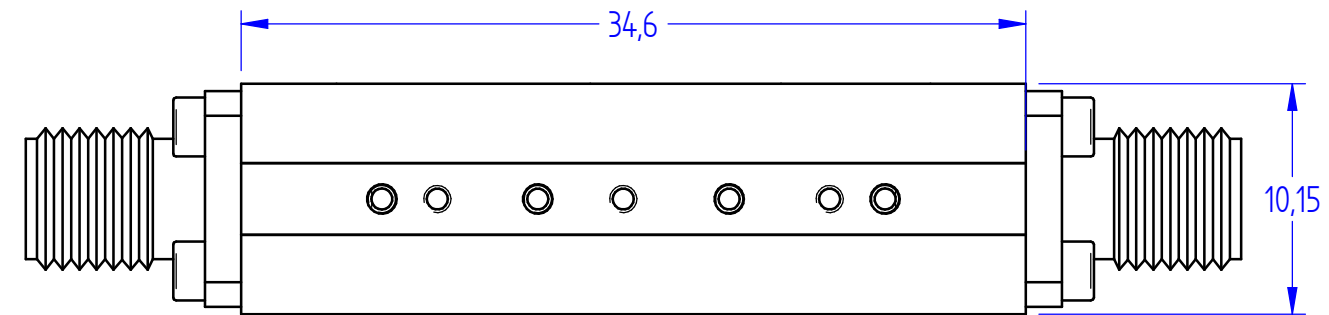
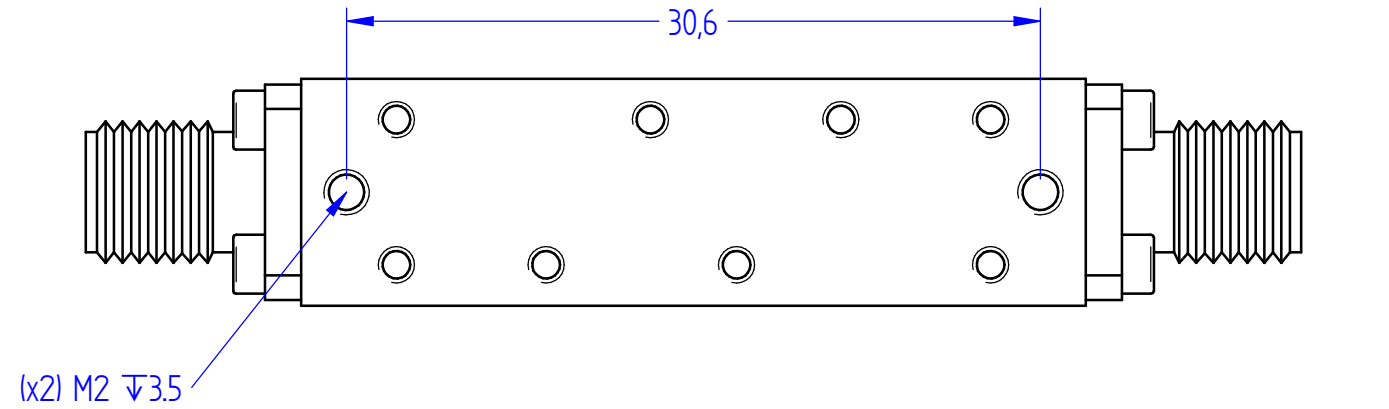
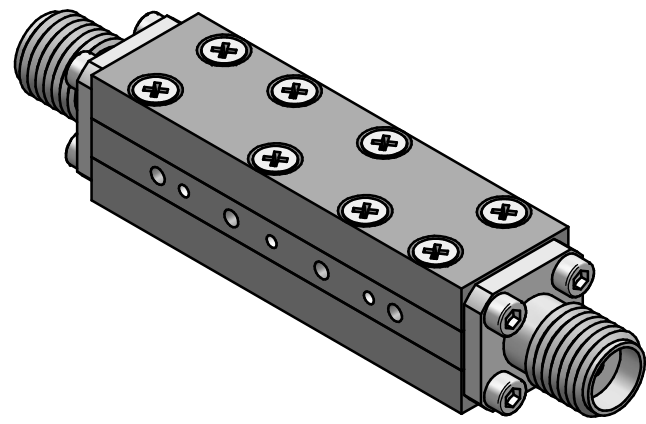


This document is subject to change without notice
This document is the exclusive property of DÉTI SAS and cannot be communicated to third parties or reproduced without prior written permission



TECHNICAL SPECIFICATIONS

- Frequency Range :** 22.7- 23.5 GHz
- Insertion Loss :** 1.5 dB max.
1.0 dB typ. @Fc = 23.1 GHz
- VSWR :** 1.5 :1 max.
- Rejection :** 60 dB min. @ 21 Ghz
60 dB min. @ 25 Ghz
- Power Handling :** 2 W CW
- Operating Temperature :** -55 °C to +125 °C
- Storage Temperature :** -55 °C to +125°C
- Input Connector :** SMA Female
- Output Connector :** SMA Female

Last rev. additional information :							Material : Aluminium	Titre : Filtre Passe Bande 23.1 GHz	
							Treatment : Silver Plated	Title : 23.1 GHz Band Pass Filter	
							Finish : -	Comment :	
							Gen. Tol. : ISO 2768 - mK	Document Number : BPF-IN-21000-60-22700-23500-25000-60-SF-SF	
							Orientation :	Date : 22/06/2021	
Rev.	Change	Drawn	Date	Check	Date	Approb.	Date	Scale : 3:1	Sheet : 1 / 1
-	Création du document	A. Le Gouellec	22/06/2021	W. Kherraz	22/06/2021	S. Mellaza	22/06/2021	Drawn : alegouellec	

