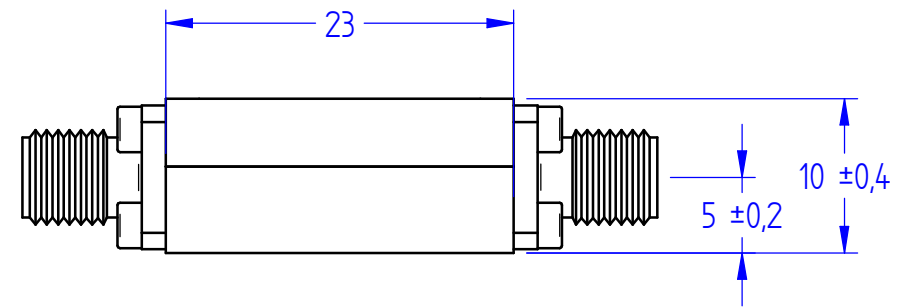
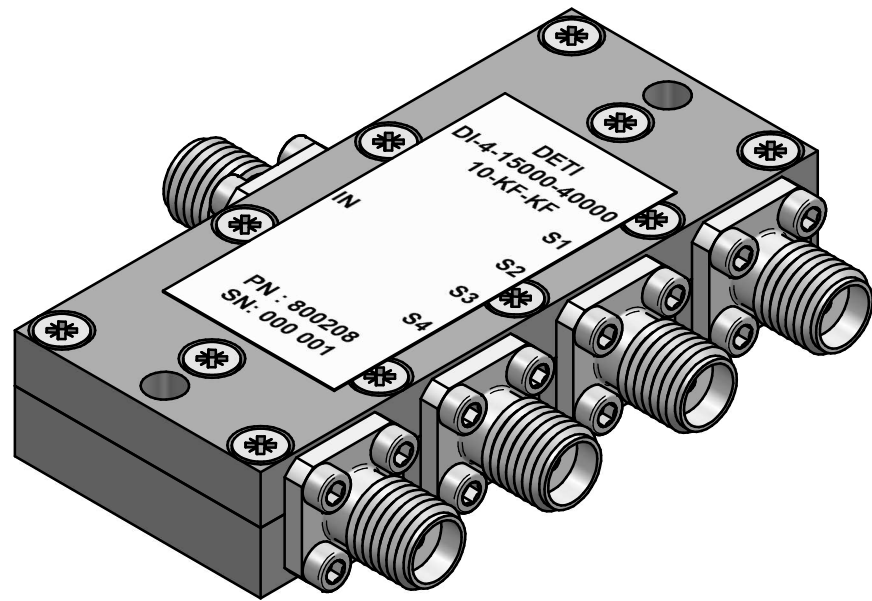
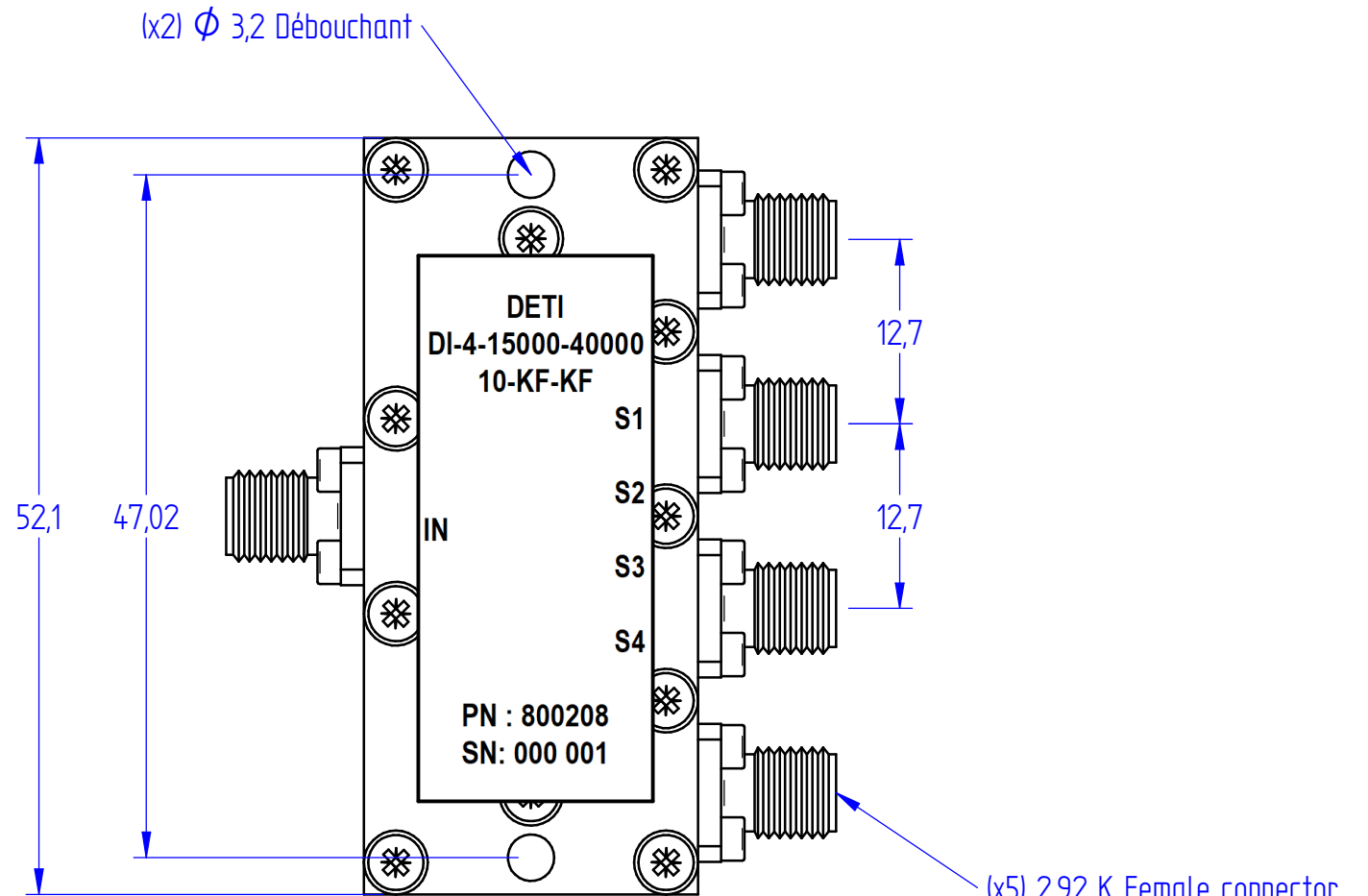



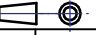
This document is subject to change without notice
This document is the exclusive property of DETI SAS and cannot be communicated to third parties or reproduced without prior written permission



TECHNICAL SPECIFICATIONS

Frequency Range :	15000 - 40000 MHz
Insertion Loss :	2.0 dB max.
Amplitude Balance :	± 0.8 dB
Phase Balance :	± 12 ° max.
VSWR :	1.90 :1 max.
Isolation	13 dB min.
Power Handling :	10W average @ 1.20:1 VSWR load
Operating Temperature :	-40 °C to +85 °C
Storage Temperature :	-55 to +125°C
Mechanical Shocks :	MIL STD 202 - Method 213 Test cond. C: 100g 6ms ½
Sinus Vibrations :	MIL STD 202 - Method 204D Test cond. A : 10g / 10-2000HZ
Thermal Shocks :	MIL STD 202 - Method 107G Test cond. A: -40°C/+85°C
Humidity :	MIL STD 202 - Method 103 Test cond. B : 95% 96h



							Material : Aluminium	Titre : Diviseur 4 Voies 15 - 40 GHz		
							Treatment : Surtec 650	Titre : 4-Way Power Divider 15 - 40 GHz		
							Finish : Black Paint	Comment : DI-4-15000-40000-10-KF-KF		
							Gen. Tol. : ISO 2768 - mK	Document Number : 800208 1501A		
							Orientation : 	Date : 15/07/2020		
Rev.	Change	Drawn	Date	Check	Date	Approb.	Date	Scale : 2:1	Sheet : 1 / 1	Drawn : alegouellec