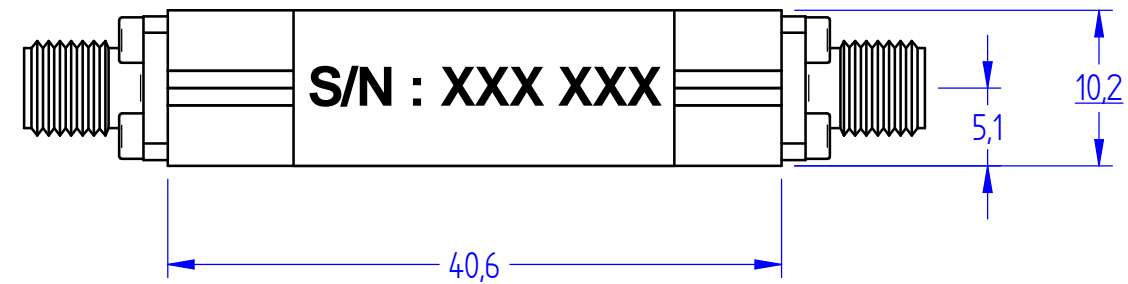
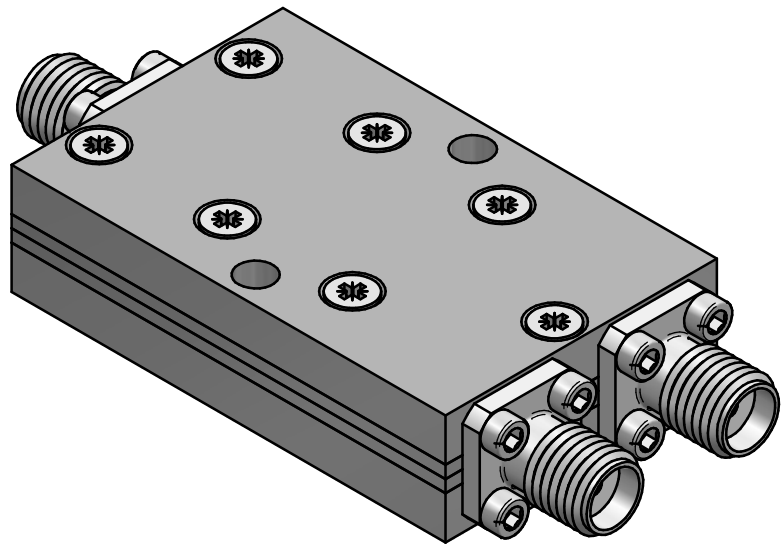
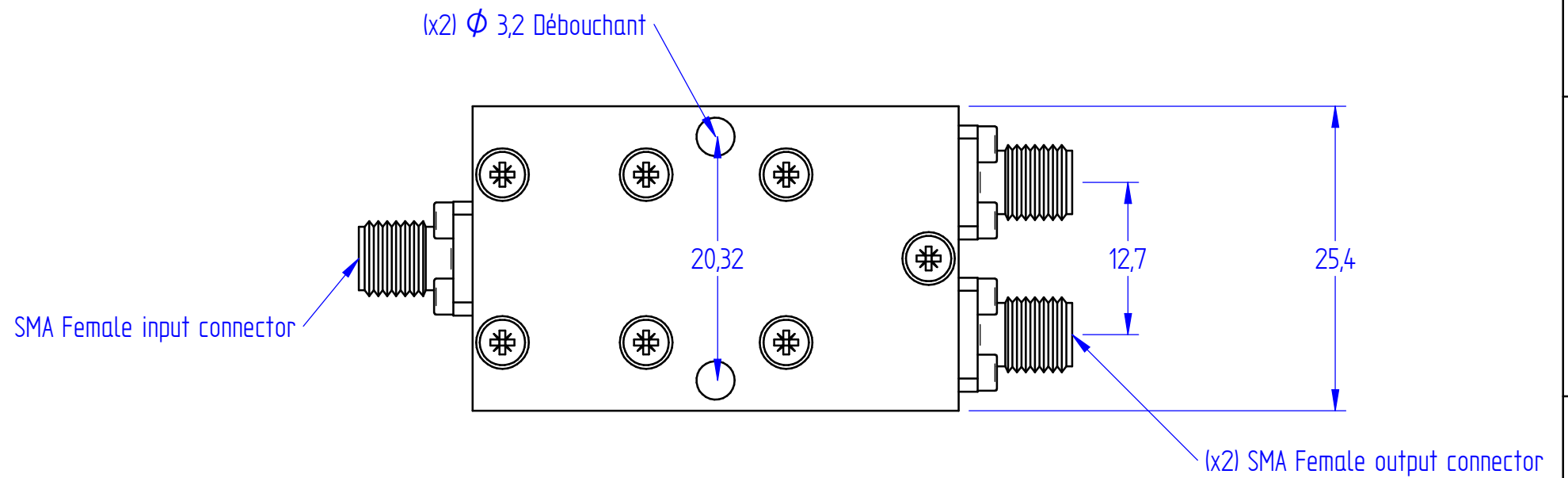


This document is subject to change without notice  
This document is the exclusive property of DÉTI SAS and cannot be communicated to third parties or reproduced without prior written permission



### TECHNICAL SPECIFICATIONS

Frequency Range :	2000 - 8000 MHz
Insertion Loss :	0.4 dB max.
Amplitude Balance :	0.3 dB max.
Phase Balance :	4° max.
Input VSWR :	1.4:1 max.
Output VSWR :	1.4:1 max.
Isolation :	20 dB min.
Max. Input Power :	30 W average @ 1.2:1 VSWR Load
Operating Temperature :	-40°C to +85°C
Storage Temperature :	-55 to +125°C
Mechanical Shocks :	MIL STD 202 - Method 213 Test cond. C: 100g 6ms 1/2
Sinus Vibrations :	MIL STD 202 - Method 204D Test cond. A : 10g / 10-2000HZ
Thermal Shocks :	MIL STD 202 - Method 107G Test cond. A: -40°C/+85°C
Humidity :	MIL STD 202 - Method 103 Test cond. B : 95% 96h



Last rev. additional information : Ajout contraintes environnementales							Material : Aluminium		Titre : Diviseur 2 Voies	
							Treatment : Surtec 650		Titre : 2-Way Power Divider	
							Finish : Blue (pantone 280 C DT6)		Comment : 2000-8000 MHz - 30W	
							Gen. Tol. : ISO 2768 - mK		Document Number : 800282 1601B	
							Orientation :		Drawn : alegouellec	
							Size : A3		Date : 15/07/2020	
							Classif. : 2			
							Scale : 2:1			
							Sheet : 1 / 1			
Rev. Change							Date		Date	
A. Le Gouellec							S. Mellaza		S. Mellaza	
15/07/2020							15/07/2020		15/07/2020	
S. Mellaza							S. Mellaza		S. Mellaza	

