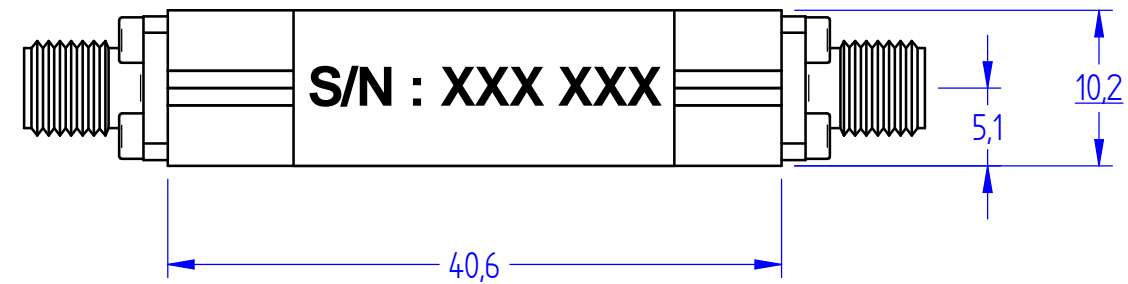
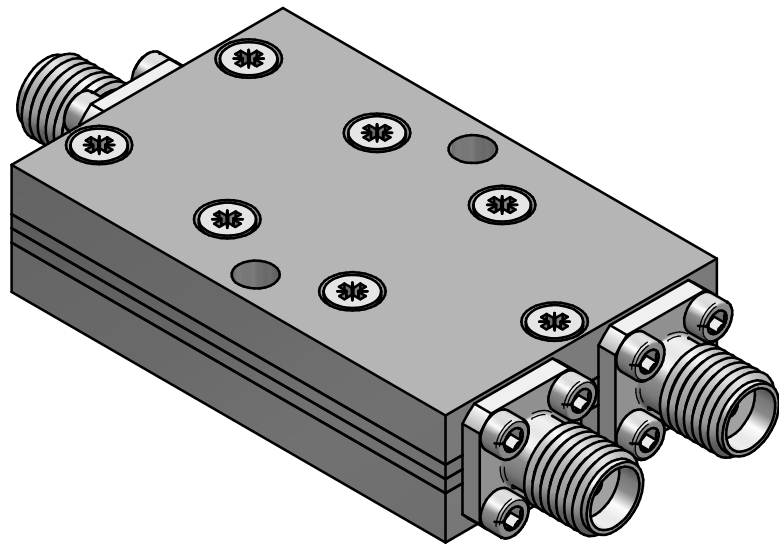
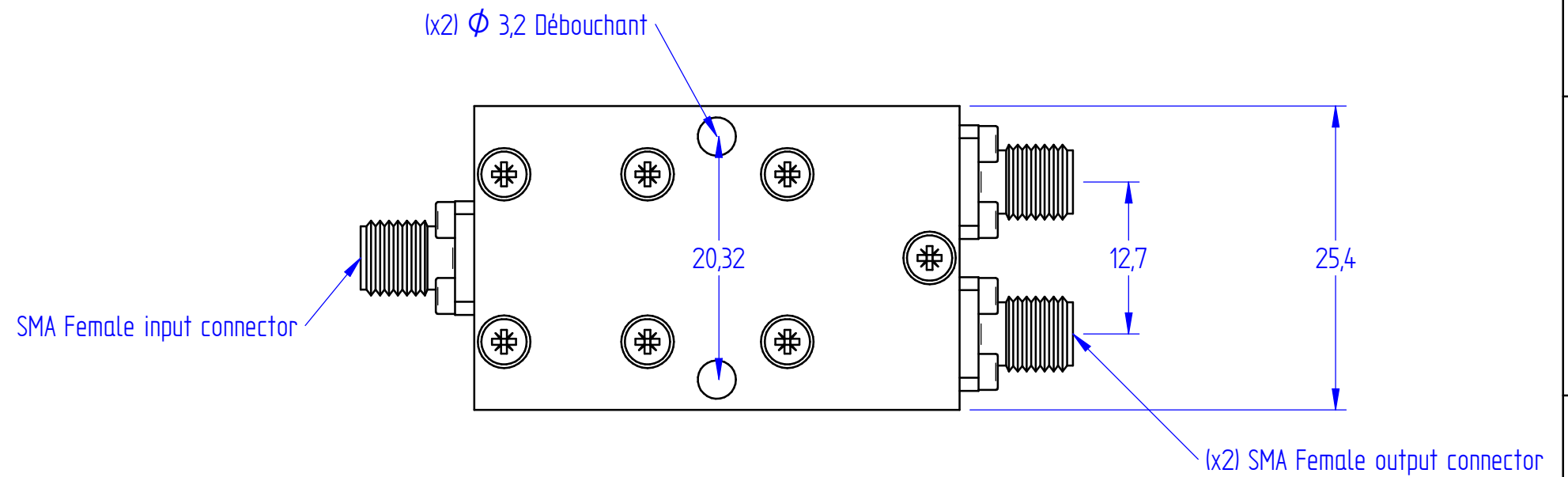


This document is subject to change without notice
This document is the exclusive property of DÉTI SAS and cannot be communicated to third parties or reproduced without prior written permission



TECHNICAL SPECIFICATIONS

Frequency Range :	2000 - 8000 MHz
Insertion Loss :	0.4 dB max.
Amplitude Balance :	0.3 dB max.
Phase Balance :	4° max.
Input VSWR :	1.4:1 max.
Output VSWR :	1.4:1 max.
Isolation :	20 dB min.
Max. Input Power :	30 W average @ 1.2:1 VSWR Load
Operating Temperature :	-40°C to +85°C
Storage Temperature :	-55 to +125°C
Mechanical Shocks :	MIL STD 202 - Method 213 Test cond. C: 100g 6ms 1/2
Sinus Vibrations :	MIL STD 202 - Method 204D Test cond. A : 10g / 10-2000HZ
Thermal Shocks :	MIL STD 202 - Method 107G Test cond. A: -40°C/+85°C
Humidity :	MIL STD 202 - Method 103 Test cond. B : 95% 96h



Last rev. additional information : Ajout contraintes environnementales							Material : Aluminium		Titre : Diviseur 2 Voies	
							Treatment : Surtec 650		Titre : 2-Way Power Divider	
							Finish : Black Paint (Mat)		Comment : 2000-8000 MHz - 30W	
							Gen. Tol. : ISO 2768 - mK		Document Number : 800282 1601B	
							Orientation :		Drawn : alegouellec	
							Size : A3		Date : 29/06/2021	
							Classif. : 2			
							Scale : 2:1			
							Sheet : 1 / 1			
Rev.	Change	Drawn	Date	Check	Date	Approb.	Date			
B	Modification cartouche	A. Le Gouellec	15/07/2020	S. Mellaza	15/07/2020	S. Mellaza	15/07/2020			

